



Amphenol Corp. México

Prolongación Reforma 61-6B2

Col. Paseo de las Lomas

México, D.F. 01330 México

Tel +52 (55) 5258-9984

Fax +52 (55) 5081-6890

info@amphenolmexico.com

Advantage | Line™

PowerBOSS™ and ControlBOSS™ Product Catalog



SETTINGYOURWORLDINMOTION

Table of Contents

WHY AdvantageLine™ PowerBOSS™ AND ControlBOSS™?	1
AdvantageLine™ PowerBOSS™	2
FEATURES & BENEFITS	3
RP09 9 PIN SHELL SIZE 6	4
TECHNICAL SPECIFICATIONS	4
POWER TEES	
P27779 POWER TEE	5
P28574 DUAL CHANNEL TEE	6
PANEL RECEPTACLES	
P27797-XX MALE POWER, 8 AWG/14 AWG	7
P27796-XX FEMALE POWER, 8 AWG/14 AWG	7
P28572-XX MALE POWER, 10 AWG/14 AWG	7
P28571-XX FEMALE POWER, 8 AWG/14 AWG	7
TEE TO TEE ADAPTOR	
P28375, 8 AWG/14 AWG	7
TERMINATORS	
P27891 SINGLE CHANNEL MALE TERMINATOR	7
P28573 DUAL CHANNEL MALE TERMINATOR	7
STATIC DUTY POWER CABLE OPTIONS	
P27784-XX, DOUBLE-ENDED, MALE STRAIGHT / FEMALE STRAIGHT, 8 AWG	8
P28559-XX, DOUBLE-ENDED, MALE STRAIGHT / FEMALE STRAIGHT, 10 AWG	8
P27785-XX, DOUBLE-ENDED, MALE 90° / FEMALE STRAIGHT, 8 AWG	8
P28560-XX, DOUBLE-ENDED, MALE 90° / FEMALE STRAIGHT, 10 AWG	8
P27786-XX, DOUBLE-ENDED, MALE 90° / FEMALE 90°, 8 AWG	8
P28561-XX, DOUBLE-ENDED, MALE 90° / FEMALE 90°, 10 AWG	8
P27787-XX, DOUBLE-ENDED, MALE STRAIGHT / FEMALE 90°, 8 AWG	8
P28562-XX, DOUBLE-ENDED, MALE STRAIGHT / FEMALE 90°, 10 AWG	8
CONTINUOUS FLEXING POWER CABLE OPTIONS	
P27790-XX, DOUBLE-ENDED, MALE STRAIGHT / FEMALE STRAIGHT, 10 AWG	9
P27791-XX, DOUBLE-ENDED, MALE 90° / FEMALE STRAIGHT, 10 AWG	9
P27792-XX, DOUBLE-ENDED, MALE 90° / FEMALE 90°, 10 AWG	9
P27793-XX, DOUBLE-ENDED, MALE STRAIGHT / FEMALE 90°, 10 AWG	9
CABLE SPECIFICATIONS & PART NUMBERS	10
AdvantageLine™ PowerBOSSjr™	12
FEATURES & BENEFITS	13
RP09 7 PIN	14
TECHNICAL SPECIFICATIONS	14
POWER TEE	
P28866 POWER TEE	15
PANEL RECEPTACLES	
P28869-XX MALE POWER, 12 AWG/16 AWG	16
TEE TO TEE ADAPTOR	
P28874, 12 AWG/16 AWG	16
P28868-XX FEMALE POWER, 12 AWG/16 AWG	16
STATIC DUTY POWER CABLE OPTIONS	
P28870-XX, DOUBLE-ENDED, MALE ST. / FEMALE ST., 12 AWG/16 AWG	17
P28871-XX, DOUBLE-ENDED, MALE 90° / FEMALE 90°, 12 AWG/16 AWG	17
P28872-XX, DOUBLE-ENDED, MALE ST. / FEMALE 90°, 12 AWG/16 AWG	17
P28873-XX, DOUBLE-ENDED, MALE 90° / FEMALE ST., 12 AWG/16 AWG	17
CABLE SPECIFICATIONS & PART NUMBERS	18
AdvantageLine™ PowerBOSSlite™	20
FEATURES & BENEFITS	21
TECHNICAL SPECIFICATIONS	22
POWER TEE	
P28964 TRUNK TEE, 10 AWG	23

AdvantageLine™ PowerBOSSlite™, continued	
TRUNK/FEEDER CABLE OPTIONS, 10 AWG	
P28992-MXX, MALE, SINGLE-ENDED, STRAIGHT	24
P28993-MXX, MALE, SINGLE-ENDED, 90°	24
P28997-MXX FEMALE, SINGLE-ENDED, 90°	24
P28996-MXX, FEMALE, SINGLE-ENDED, STRAIGHT	24
P28976-MXX, DOUBLE-ENDED, MALE STRAIGHT / FEMALE STRAIGHT	24
P28977-MXX, DOUBLE-ENDED, MALE 90° / FEMALE STRAIGHT	24
P28978-MXX, DOUBLE-ENDED, MALE STRAIGHT / FEMALE 90°	24
P28979-MXX, DOUBLE-ENDED, MALE 90° / FEMALE 90°	24
DROP/BRANCH CABLE OPTIONS, 14 AWG	
P29016-MXX, MALE, SINGLE-ENDED, STRAIGHT	25
P29017-MXX, MALE, SINGLE-ENDED, 90°	25
P29018-MXX, FEMALE, SINGLE-ENDED, STRAIGHT	25
P29019-MXX FEMALE, SINGLE-ENDED, 90°	25
P29008-MXX, DOUBLE-ENDED, MALE STRAIGHT / FEMALE STRAIGHT	25
P29009-MXX, DOUBLE-ENDED, MALE 90° / FEMALE STRAIGHT	25
P29010-MXX, DOUBLE-ENDED, MALE STRAIGHT / FEMALE 90°	25
P29011-MXX, DOUBLE-ENDED, MALE 90° / FEMALE 90°	25
IN-LINE REDUCERS	
P28972 TRUNK REDUCER TO FEMALE DROP CONNECTOR	26
TRUNK/FEEDER RECEPTACLES	
P29026-MXX, FEMALE, 1/2-14NPT	26
P29059-MXX, MALE, 1/2-14NPT	26
P29024-MXX, FEMALE, 3/4-14NPT	26
P29057-MXX, MALE, 3/4-14NPT	26
DROP/BRANCH RECEPTACLES	
P29037-MXX, FEMALE, 1/2-14NPT	26
P29036-MXX, MALE, 1/2-14NPT	26
LOCKING CLIPS	
P29040 TRUNK/FEEDER	27
P29041 DROP/BRANCH	27
CLOSURE CAPS	
P29043 FEMALE TRUNK/FEEDER	27
P29042 MALE TRUNK/FEEDER	27
P29045 FEMALE DROP/BRANCH	27
P29044 MALE DROP/BRANCH	27
CABLE SPECIFICATIONS & PART NUMBERS	28
AdvantageLine™ ControlBOSS™	30
FEATURES & BENEFITS	31
RP09 9 PIN	32
TECHNICAL SPECIFICATIONS	32
HYBRID TEES	
P28810 HYBRID TEE	33
PANEL RECEPTACLES	
P28819-XX MALE POWER	34
P28816-XX FEMALE POWER	34
TEE TO TEE ADAPTOR	
P28825	34
STATIC DUTY HYBRID CABLES	
P28817-XX, DOUBLE-ENDED, MALE STRAIGHT / FEMALE STRAIGHT	35
P28818-XX, DOUBLE-ENDED, MALE 90° / FEMALE 90°	35
P28822-XX, DOUBLE-ENDED, MALE STRAIGHT / FEMALE 90°	35
P28823-XX, DOUBLE-ENDED, MALE 90° / FEMALE STRAIGHT	35
TERMINATOR & AUXILIARY POWER PLUGS	
P28815, 2 PIN TAP	36
P28820, 2 PIN TAP	36
P28821, 2 PIN TAP	36
P28826, 3 PIN TAP	36
P28827, 3 PIN TAP	37
CABLE SPECIFICATIONS & PART NUMBERS	37

We are **SINE SYSTEMS**,
a GLOBAL LEADER in
providing YOU with
INTERCONNECTION
OPTIONS and SOLUTIONS.

We fulfill your interconnect requirements, freeing you up to focus on

your core business. [WE RECOGNIZE YOUR REQUIREMENTS AS OUR TOP](#)

[PRIORITY](#) and are committed to constantly meeting and exceeding your

expectations.



Why AdvantageLine™ PowerBOSS™ and ControlBOSS™ Technology?

PLUG & PLAY INSTALLATION

The Advantage Line™ PowerBOSS™ and ControlBOSS™ hybrid interconnect system provides **power, control and communication connectivity** on a plug and play basis. The development of **modular, crush-resistant, factory-molded connectors** has eliminated the need for hard-wired or traditional conduit installations.

PERFORMANCE

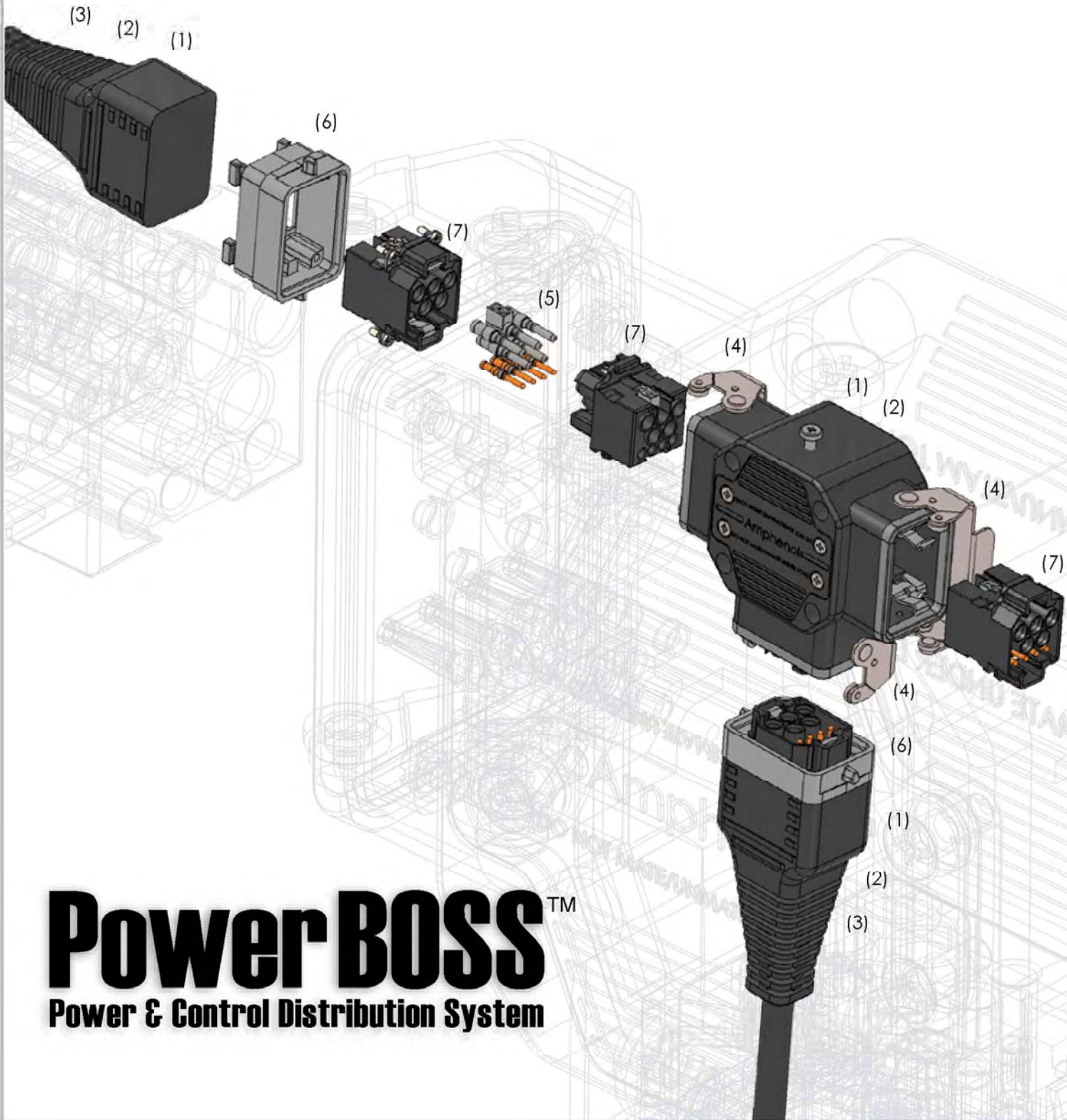
The strength of the Advantage Line™ interconnect system is its **simplicity**. Standardization of the interconnect system offers **reduced installation time, start-up time and service time** during routine maintenance. With the creation of the Advantage Line™ products, the **reliability and performance** associated with Amphenol Corporation's industrial products continues to grow and **help your bottom line**.

DECENTRALIZED CONTROL ARCHITECTURE

Decentralized control takes a **modular approach** to variable frequency drives, motors, power and control cable installations. With a **decentralized control system**, Amphenol Sine Systems offers a **hybrid interconnect system** to provide power and communication between the main control, VFD or other DeviceNet™ products. This plug and play interconnect system **eliminates the need for complicated wiring and allows for easy installation**.

A SIMPLE SOLUTION

Rapidly evolving technology often leads to more expensive and more complex systems. By **daisy-chaining power and control circuits** through a simplistic "T" approach it creates **a system that's easier to install and maintain and reconfigure** with the same reliability associated with all of Amphenol's industrial products.

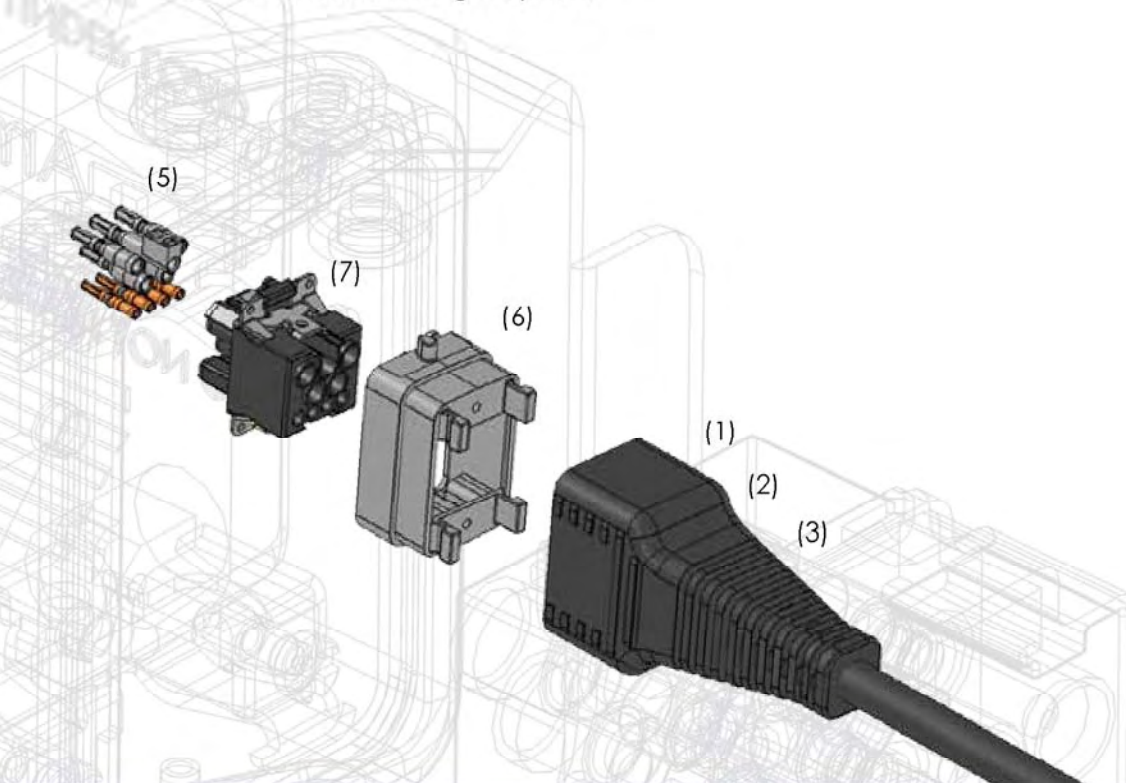


Power BOSS™

Power & Control Distribution System

FEATURES & BENEFITS

- Two stage over-molded cable assemblies (1)
- Oil and chemical resistant PVC jacket and molding compounds (2)
- IP65 fluid resistant
- Uni-Directional cable strain relief (3)
- Vibration resistant coupling system (4)
- Silver and gold plated contact offering (5)
- Heavy duty aluminum die cast shell (6)
- Strong Thermoplastic 9 Pin contact housing (7)
- UL and CSA listed
- 600 Volt AC
- Open wiring rated
- UL Type TC-ER
- CSA AWM I/II A/B, 600 Volt FT4
- Operating temperature – 25°C to 90°C
- Stationary and continuous flexing cable options
- Optional extension cables, terminators, safety locking features
- Unlimited custom length options



PowerBOSS™ at a glance...

The PowerBOSS™ 600Vac/40amp power distribution system uses a feeder/tap approach by using pre-assembled tee's and cables that can be quickly connected and disconnected. The system is scaleable, delivering power through buss and drop connectors in 8 AWG, 10 AWG and 12 AWG. The system includes four primary conductors and two individually shielded pairs of 14 AWG. One pair is typically used as a cable connection monitor and is connected to a single channel safety relay which controls redundant contactors in case someone has removed the locking device and disconnects the cable. The safety relay will de-energize the cable before the power contacts are open ensuring no arch flash occurs. The second pair of conductors are typically used for dual-channel safety operations, or, can be defined by the user. Both pairs are 100% shielded from the power so that no induction can occur.

TECHNICAL SPECIFICATIONS

NUMBER OF CONTACTS: 3/4 + PE + SHIELD

TERMINATION TECHNIQUE: CRIMP

WIRE GAUGE: 8 AWG / 14 AWG
10 AWG / 14 AWG
12 AWG / 14 AWG

TEMPERATURE RANGE: -40°C TO +125°C

APPROVALS: UL, CSA

POWER AREA: 4 + PE
• RATED CURRENT TEMP: 40A, 40°C,

SIGNAL AREA: 4
• RATED CURRENT TEMP: 10A, 40°C

RP09 9 PIN SHELL SIZE 6



PART NUMBER:
C146 40A009 000 9

DESCRIPTION:
MALE - CONTACT INSERT FOR
TURNED CONTACTS 3+ PE +4



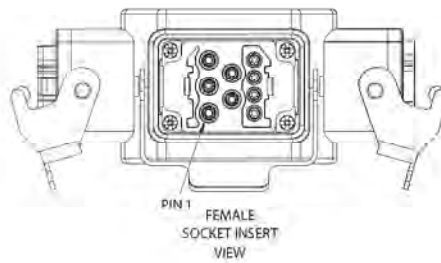
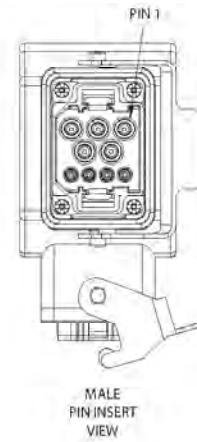
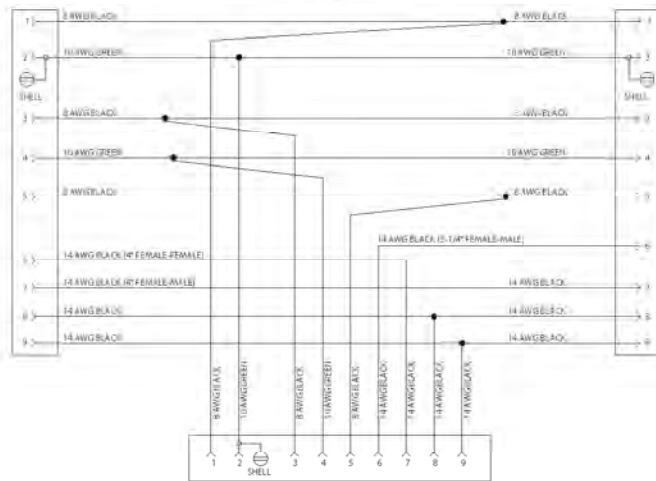
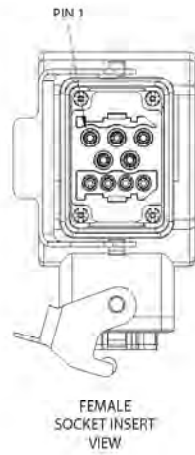
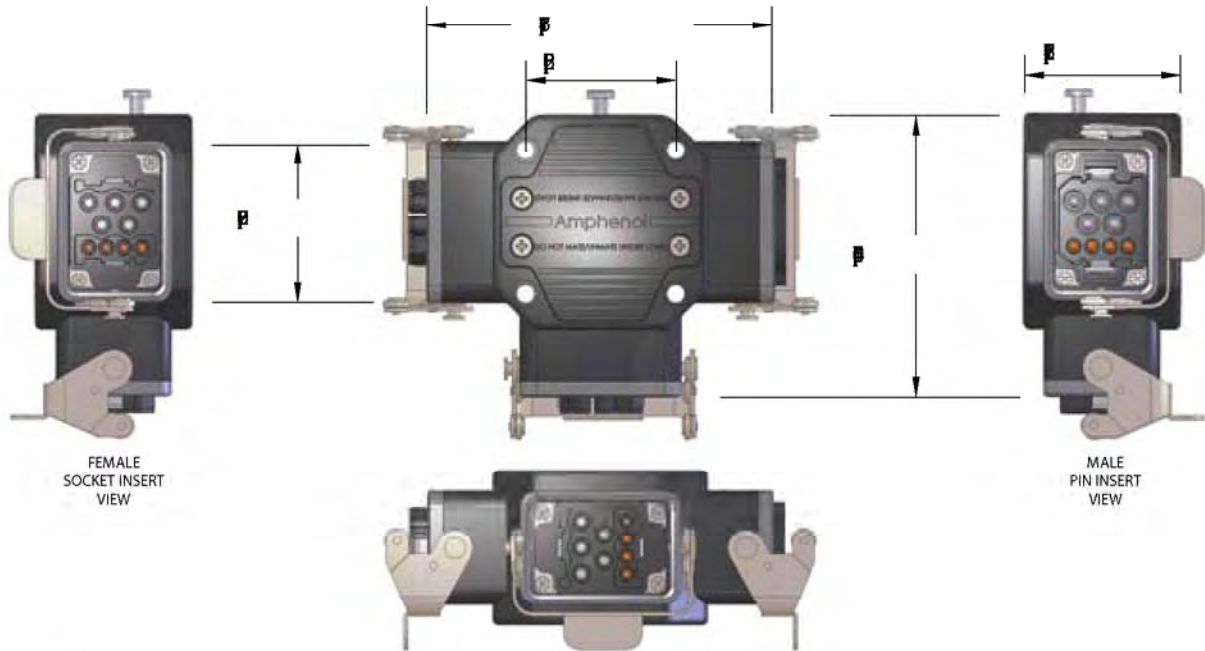
PART NUMBER:
C146 40B009 000 9

DESCRIPTION:
FEMALE - CONTACT INSERT FOR
TURNED CONTACTS 3+ PE +4

AdvantageLine™ PowerBOSS™

POWER TEES

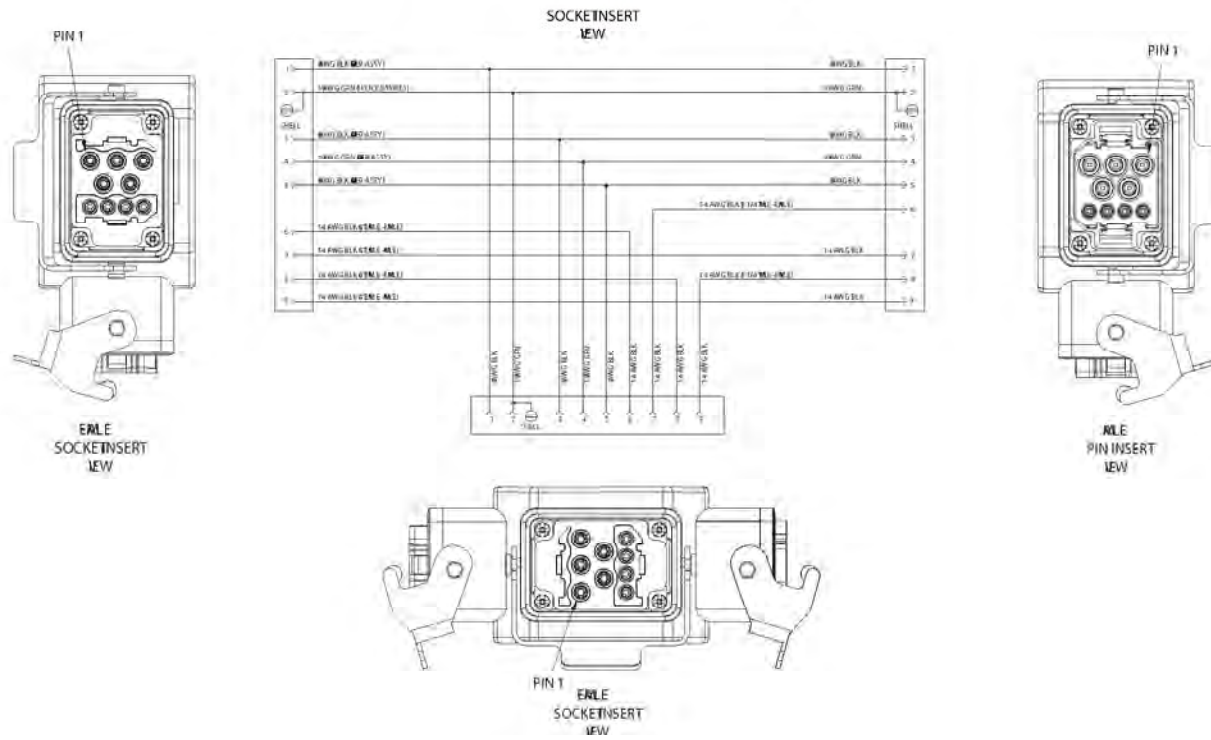
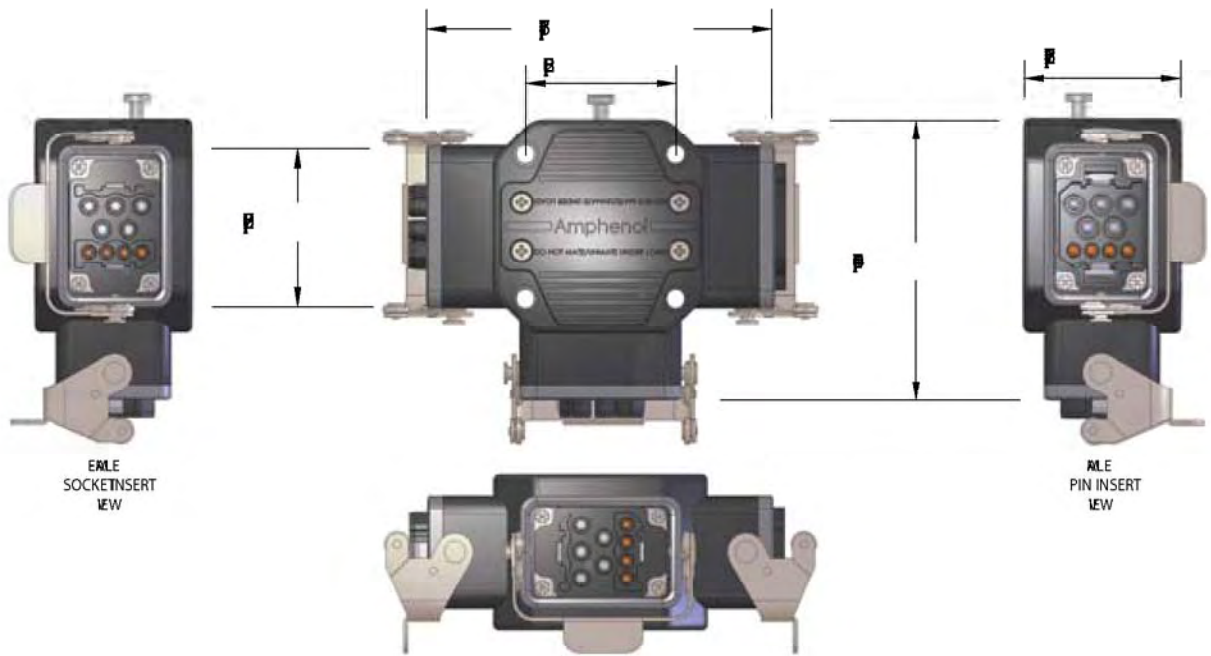
P27779 POWER TEE



All dimensions in: Inches [Millimeter]

POWER TEES

P28574 DUAL CHANNEL TEE



AdvantageLine™ PowerBOSS™

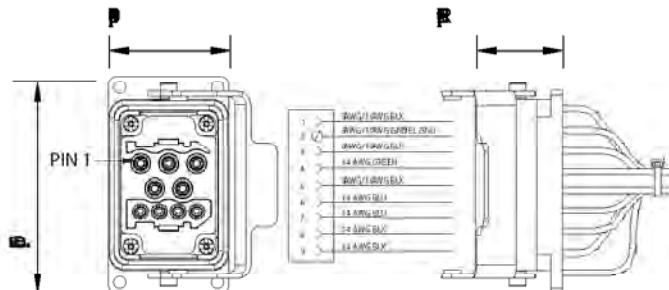
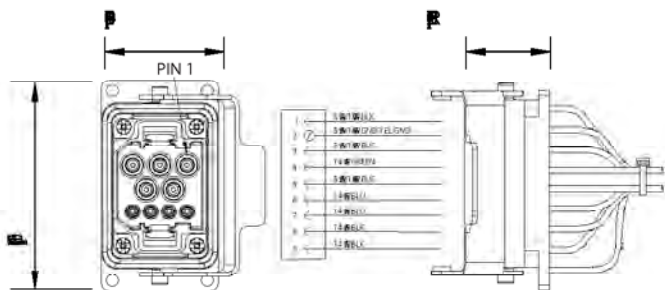
PANEL RECEPTACLES

NOTE 1: CAVITIES 6-9 CONTACTS ARE LAST MATE/FIRST BREAK. CAVITY 2 CONTACT IS FIRST MATE/LAST MATE GROUND.

NOTE 2: CONTACT SINE SYSTEMS FOR ADDITIONAL ALTERNATIVE WIRE COLOR SCHEMES.

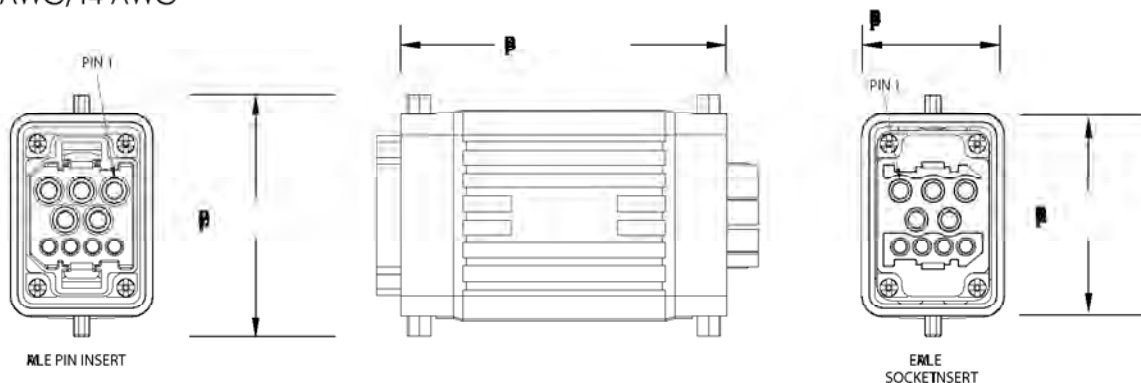
P27797-XX MALE POWER, 8 AWG/14 AWG
 P27796-XX FEMALE POWER, 8 AWG/14 AWG

P28572-XX MALE POWER, 10 AWG/14 AWG
 P28571-XX FEMALE POWER, 10 AWG/14 AWG



TEE TO TEE ADAPTOR

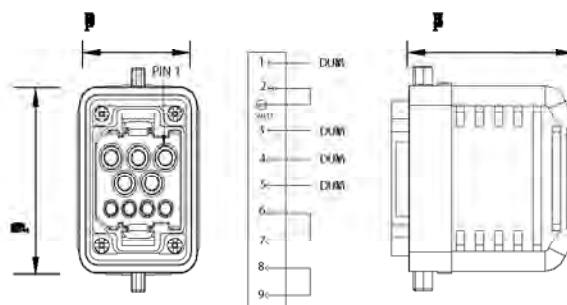
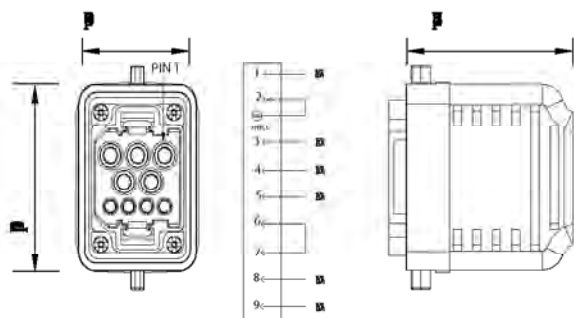
P28375, 8 AWG/14 AWG



TERMINATORS

P27891 SINGLE CHANNEL MALE TERMINATOR

P28573 DUAL CHANNEL MALE TERMINATOR



All dimensions in: Inches [Millimeter]

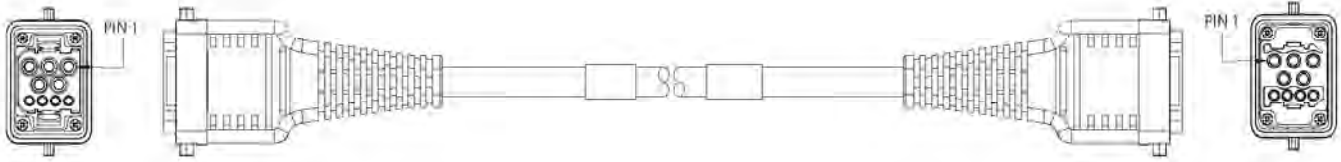
STATIC DUTY POWER CABLE OPTIONS

NOTE 1: CAVITIES 6-9 CONTACTS ARE LAST MATE/FIRST BREAK. CAVITY 2 CONTACT IS FIRST MATE/LAST MATE GROUND.

NOTE 2: ALL SECONDARY ARE 14 AWG

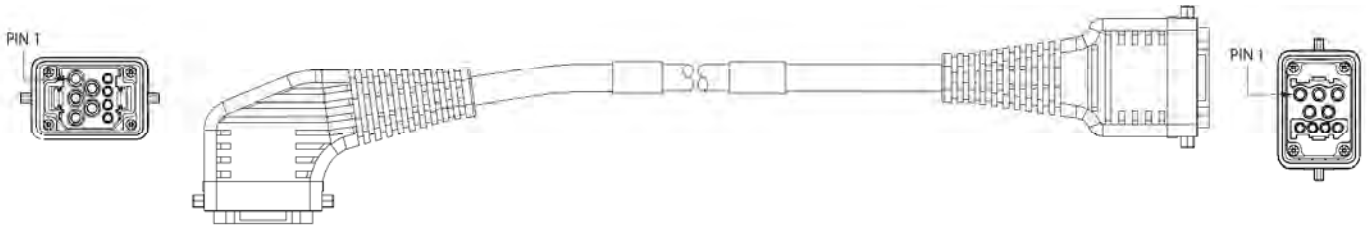
P27784-XX, DOUBLE-ENDED, MALE STRAIGHT / FEMALE STRAIGHT, 8 AWG

P28559-XX, DOUBLE-ENDED, MALE STRAIGHT / FEMALE STRAIGHT, 10 AWG



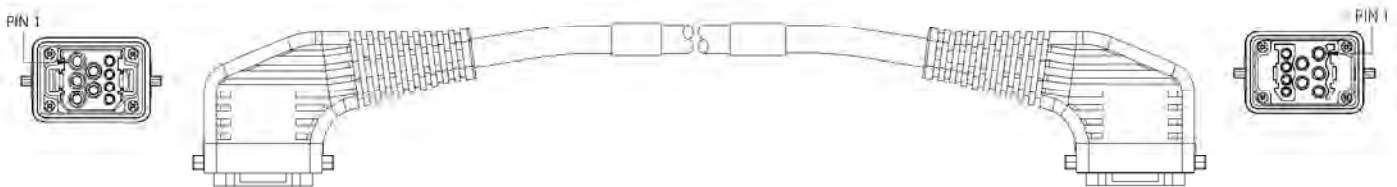
P27785-XX, DOUBLE-ENDED, MALE 90° / FEMALE STRAIGHT, 8 AWG

P28560-XX, DOUBLE-ENDED, MALE 90° / FEMALE STRAIGHT, 10 AWG



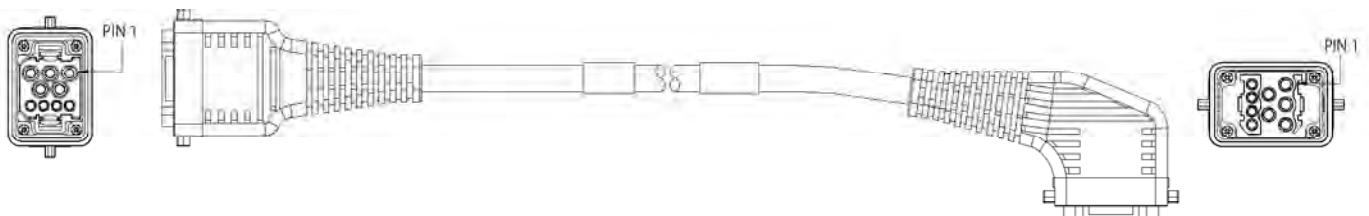
P27786-XX, DOUBLE-ENDED, MALE 90° / FEMALE 90°, 8 AWG

P28561-XX, DOUBLE-ENDED, MALE 90° / FEMALE 90°, 10 AWG



P27787-XX, DOUBLE-ENDED, MALE STRAIGHT / FEMALE 90°, 8 AWG

P28562-XX, DOUBLE-ENDED, MALE STRAIGHT / FEMALE 90°, 10 AWG



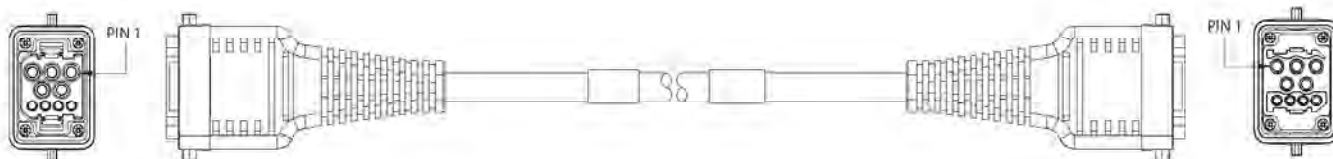
AdvantageLine™ PowerBOSS™

CONTINUOUS FLEXING POWER CABLE OPTIONS

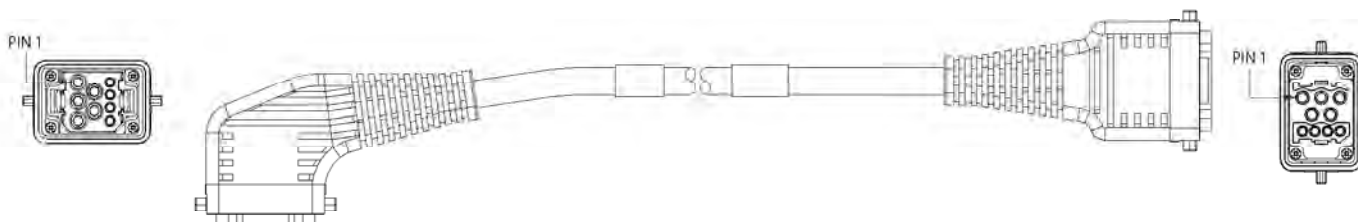
NOTE 1: CAVITIES 6-9 CONTACTS ARE LAST MATE/FIRST BREAK. CAVITY 2 CONTACT IS FIRST MATE/LAST MATE GROUND

NOTE 2: ALL SECONDARY ARE 16 AWG

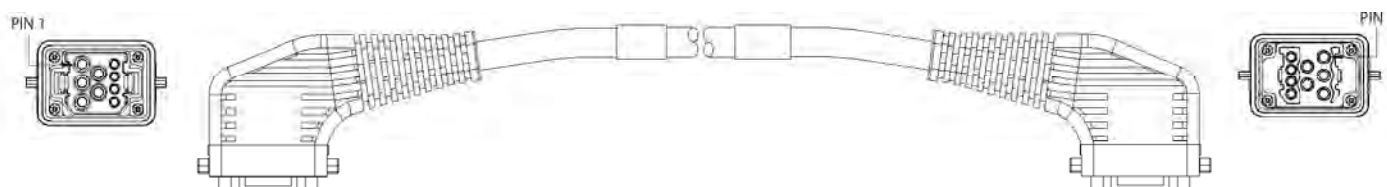
P27790-XX, DOUBLE-ENDED, MALE STRAIGHT / FEMALE STRAIGHT, 10 AWG



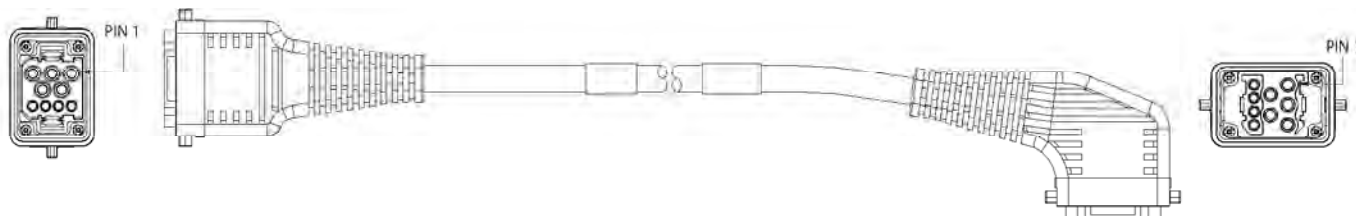
P27791-XX, DOUBLE-ENDED, MALE 90 ° / FEMALE STRAIGHT, 10 AWG



P27792-XX, DOUBLE-ENDED, MALE 90 ° / FEMALE 90 °, 10 AWG

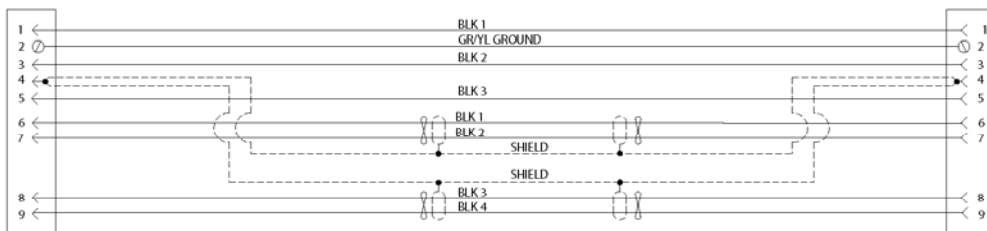


P27793-XX, DOUBLE-ENDED, MALE STRAIGHT / FEMALE 90 °, 10 AWG



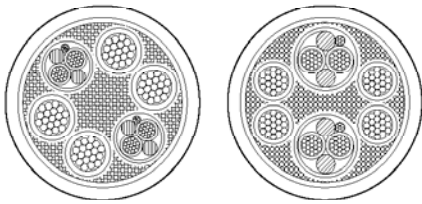
Universal Wiring Diagram For All PowerBOSS™ Cable Options

*AWG varies according to cable selection.



CABLE SPECIFICATIONS & PART NUMBERS

8 & 10 GAUGE STATIC



APPLICATIONS:

- Factory Equipment Interconnects
- Machine Tools
- Control Panels
- Conveyor Systems
- Automotive Assembly Equipment
- Stationary Track/Tray

Specifications:

- UL Type TC-ER (600V)
- CSA AWM II A/B 600V FT4

Characteristics:

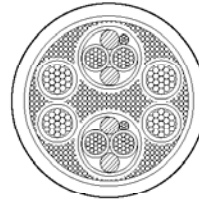
- Operating Temperature Range: -25°C to 90°C
- Voltage Rating: 600V
- Conductor: **8 AWG**

4 x 18 AWG
4 x 14 AWG + Shield

10 AWG

4 x 10 AWG
4 x 14 AWG + Shield

10 GAUGE HIGH FLEX



APPLICATIONS:

- High Flexibility/High Bend Applications
- Factory Equipment Interconnects
- Machine Tools
- Flex and Static Track
- Transfer Shuttles

Specifications:

- UL Type TC (600V)
- CSA AWM II A/B 600V FT4

Characteristics:

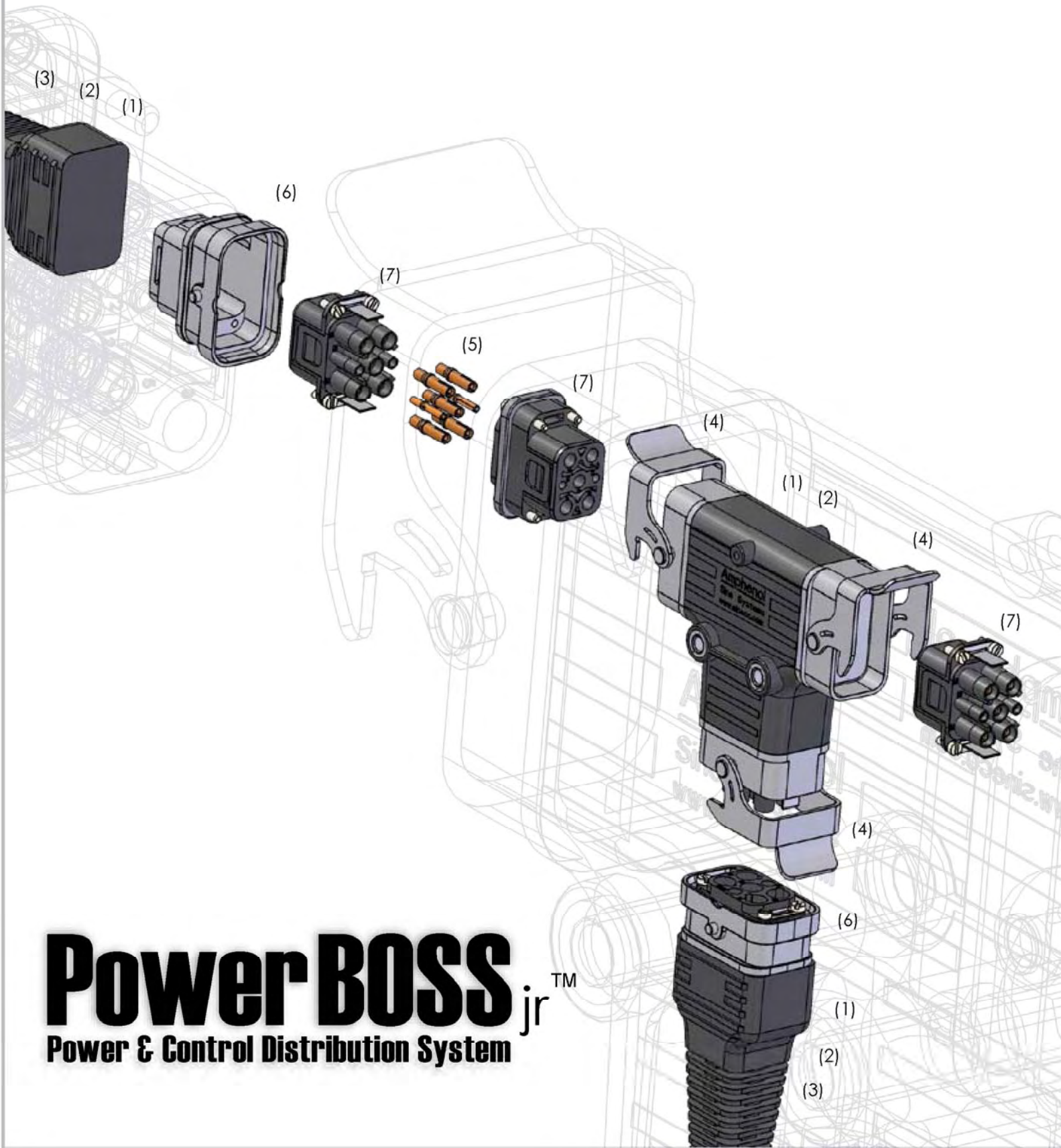
- Operating Temperature Range: -10°C to 70°C
- Voltage Rating: 1000V
- Conductor: **10 AWG**

4 x 10 AWG
4 x 16 AWG + Shield

DESCRIPTION	PART NUMBER	*NOMINAL O.D.	*MINIMUM BEND RADIUS
PowerBOSS™ POWER CABLE 8 AWG	KA-53136	0.971	6.80
PowerBOSS™ POWER CABLE 10 AWG	KA-56149	0.810	5.67
PowerBOSS™ POWER CABLE 10 AWG HIGH FLEX	KA-56293	0.88	6.6

* Measurements in inches.

AdvantageLine™ PowerBOSS™

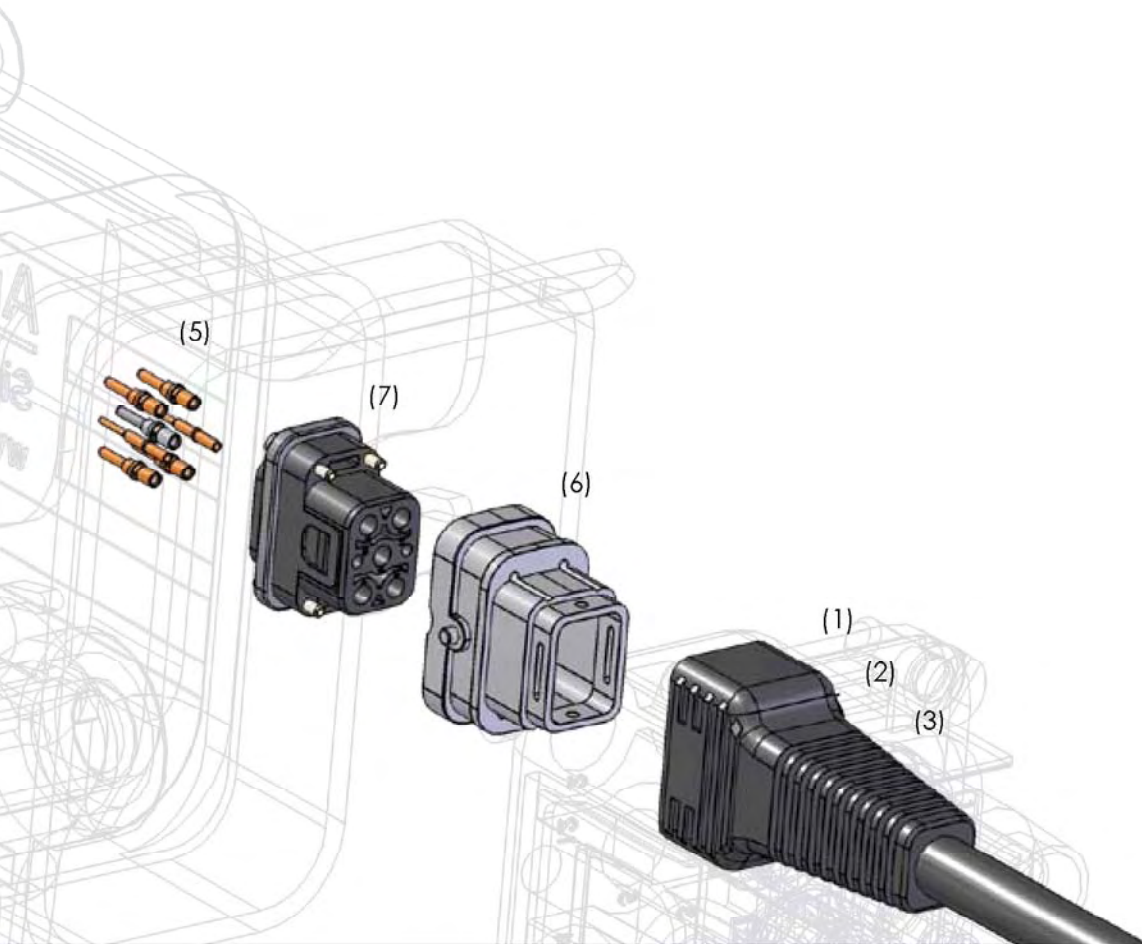


Power BOSS jrTM

Power & Control Distribution System

FEATURES & BENEFITS

- Two stage over-molded cable assemblies (1)
- Oil and chemical resistant PVC jacket and molding compounds (2)
- Uni-Directional cable strain relief (3)
- Vibration resistant coupling system (4)
- Silver and gold plated contacts (5)
- Heavy duty, nickel-plated, aluminum die cast shell (6)
- Strong Thermoplastic 7 Pin contact housing (7)
- IP65 fluid resistant
- UL and CSA ratings pending
- Open wiring rated
- UL Type TC-ER
- Operating temperature – 25°C to 90°C
- Unlimited custom length options



PowerBOSSjr™ at a glance...

The PowerBOSSjr™ 600Vac/20amp power distribution system uses a feeder/tap approach by using pre-assembled tee's and cables that can be quickly connected and disconnected. This system delivers power through buss and drop connectors in 12 AWG. The system includes five primary conductors and one shielded pair of 16 AWG. This pair is typically used as a cable connection monitor or is capable of being user definable.

TECHNICAL SPECIFICATIONS

NUMBER OF CONTACTS: 5/2 +PE

TERMINATION TECHNIQUE: CRIMP

WIRE GAUGE: 12 AWG

SIGNAL: 16 AWG

TEMPERATURE RANGE: -40°C TO +125°C

APPROVALS: UL, CSA PENDING

POWER AREA: 4 + PE

- RATED CURRENT TEMP: 20A, 40°C,

SIGNAL AREA: 2

- RATED CURRENT TEMP: 2A, 40°C

RP09 7 PIN



PART NUMBER:
C146 20A007 000 9

DESCRIPTION:
MALE - CONTACT INSERT FOR
MACHINED CONTACTS 5/2



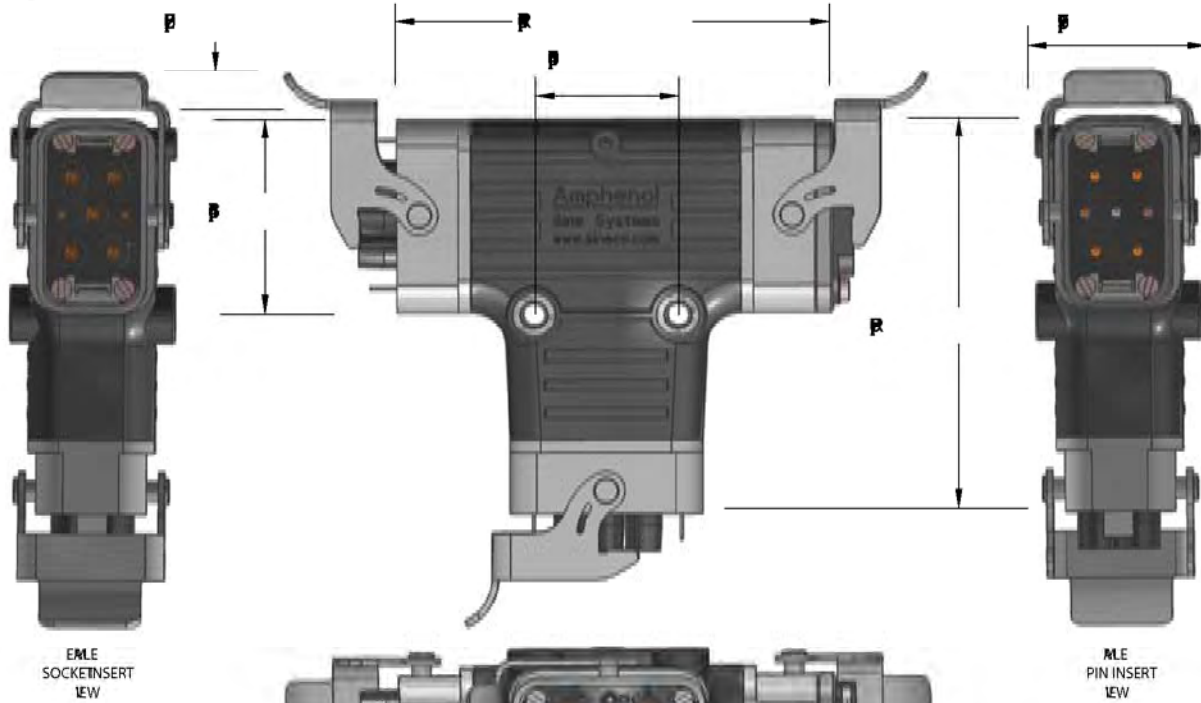
PART NUMBER:
C146 20B007 000 9

DESCRIPTION:
FEMALE - CONTACT INSERT FOR
MACHINED CONTACTS 5/2

AdvantageLine™ PowerBOSSjr™

POWER TEE

P28866 POWER TEE

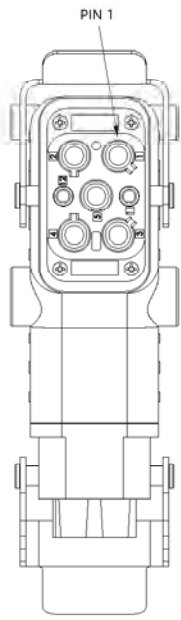


EMLE SOCKETINSERT VIEW

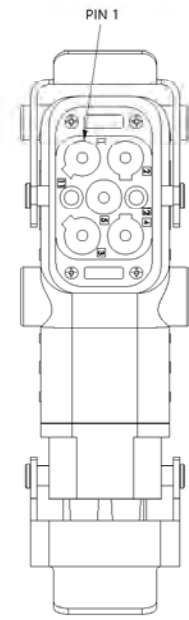
MLE PIN INSERT VIEW



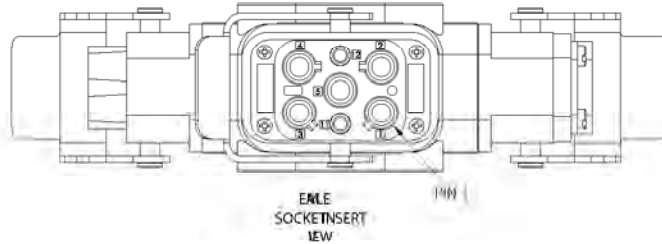
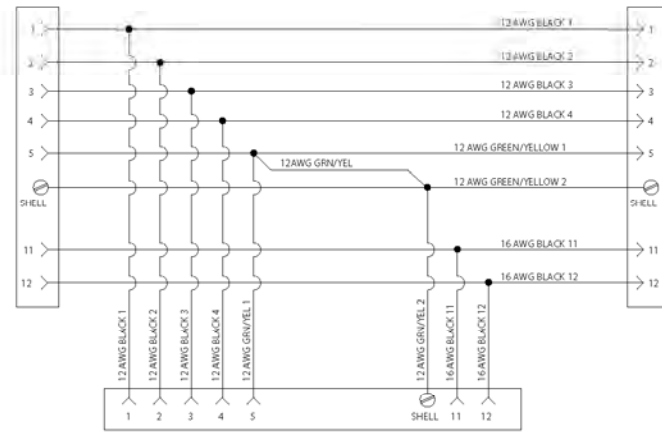
EMLE SOCKETINSERT VIEW



EMLE SOCKETINSERT VIEW



MLE PIN INSERT VIEW



EMLE SOCKETINSERT VIEW

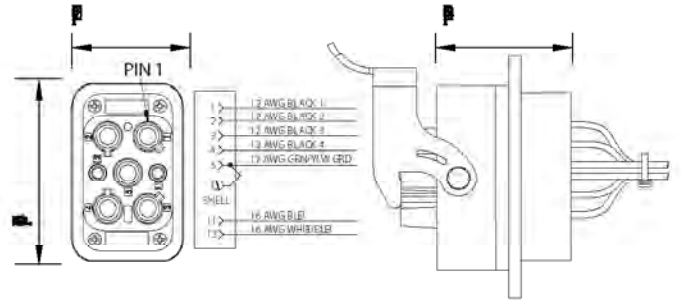
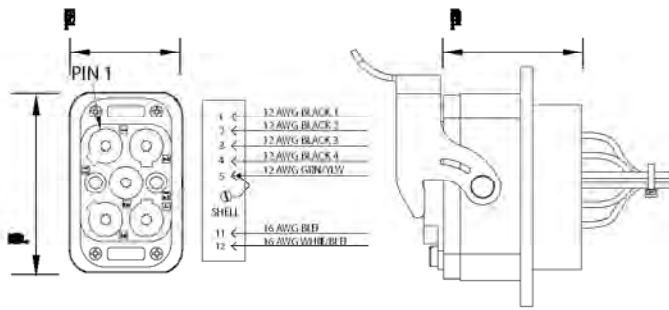
All dimensions in: Inches [Millimeter]

PANEL RECEPTACLES

NOTE 2: CONTACT SINE SYSTEMS FOR ADDITIONAL ALTERNATIVE WIRE COLOR SCHEMES.

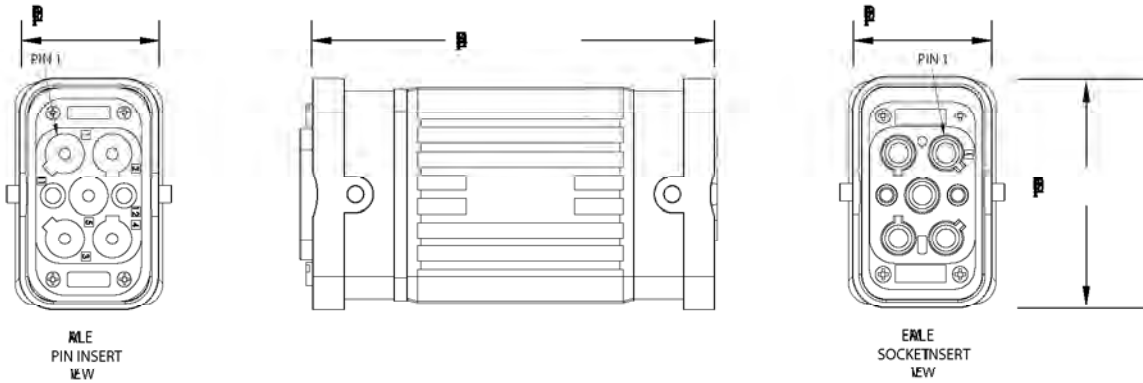
P28869-XX MALE POWER, 12 AWG/16 AWG

P28868-XX FEMALE POWER, 12 AWG/16 AWG



TEE TO TEE ADAPTOR

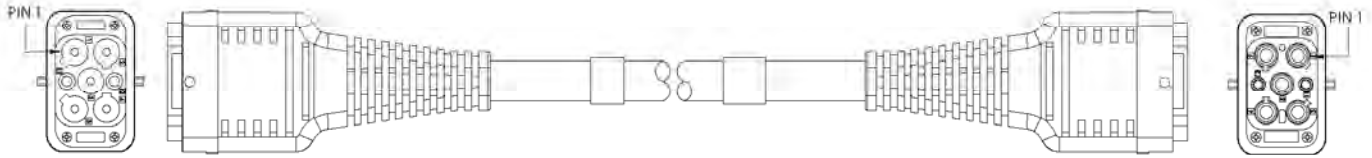
P28874, 12 AWG/16 AWG



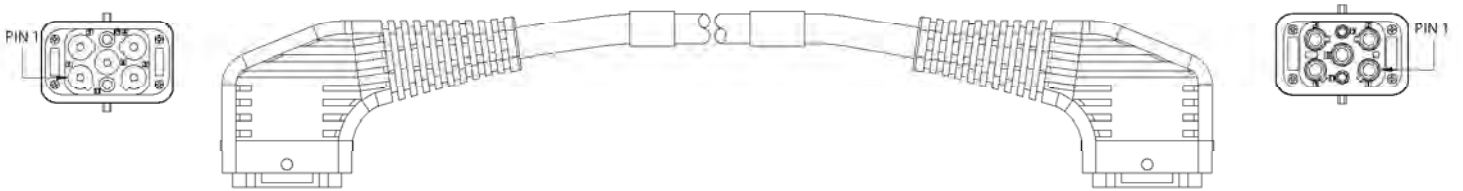
AdvantageLine™ PowerBOSSjr™

STATIC DUTY POWER CABLE OPTIONS

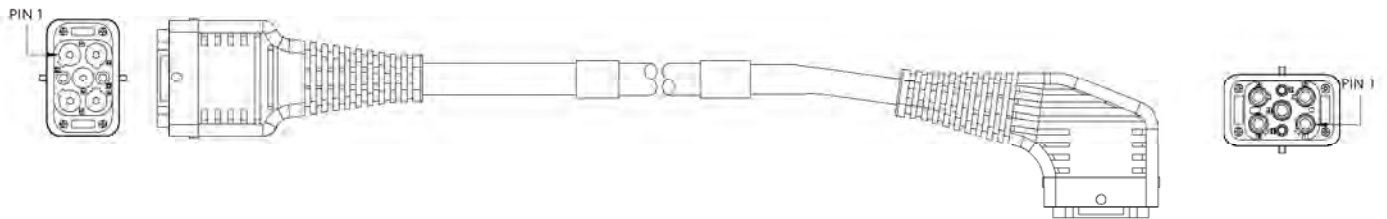
P28870-XX, DOUBLE-ENDED, MALE STRAIGHT / FEMALE STRAIGHT, 12 AWG/16 AWG



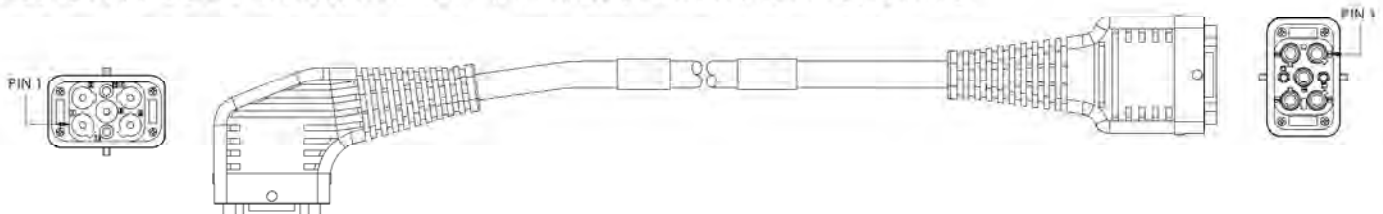
P28871-XX, DOUBLE-ENDED, MALE 90 ° / FEMALE 90 °, 12 AWG/16 AWG



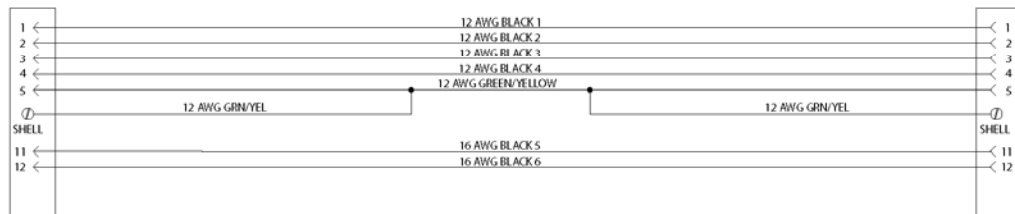
P28872-XX, DOUBLE-ENDED, MALE STRAIGHT / FEMALE 90 °, 12 AWG/16 AWG



P28873-XX, DOUBLE-ENDED, MALE 90 ° / FEMALE STRAIGHT, 12 AWG/16 AWG



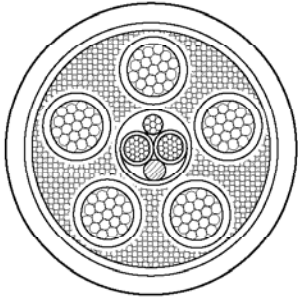
Universal Wiring Diagram for All PowerBOSSjr™ Static Duty Cable Options



All dimensions in: Inches [Millimeter]

CABLE SPECIFICATIONS & PART NUMBERS

12 GAUGE STATIC



APPLICATIONS:

- Factory Equipment Interconnects
- Machine Tools
- Control Panels
- Conveyor Systems
- Automotive Assembly Equipment

Specifications:

- UL Type TC-ER (600V)
- CSA AWM II A/B 600V FT4

Characteristics:

- Operating Temperature Range: -25°C to 90°C
- Voltage Rating: 600V
- Conductor: **12 AWG**
5 x 12 AWG
2 x 16 AWG

DESCRIPTION	PART NUMBER	*NOMINAL O.D.	*MINIMUM BEND RADIUS
PowerBOSSjr™ POWER CABLE 12 AWG	KA-56311	0.625	4.37

* Measurements in inches.

AdvantageLine™ PowerBOSSjr™

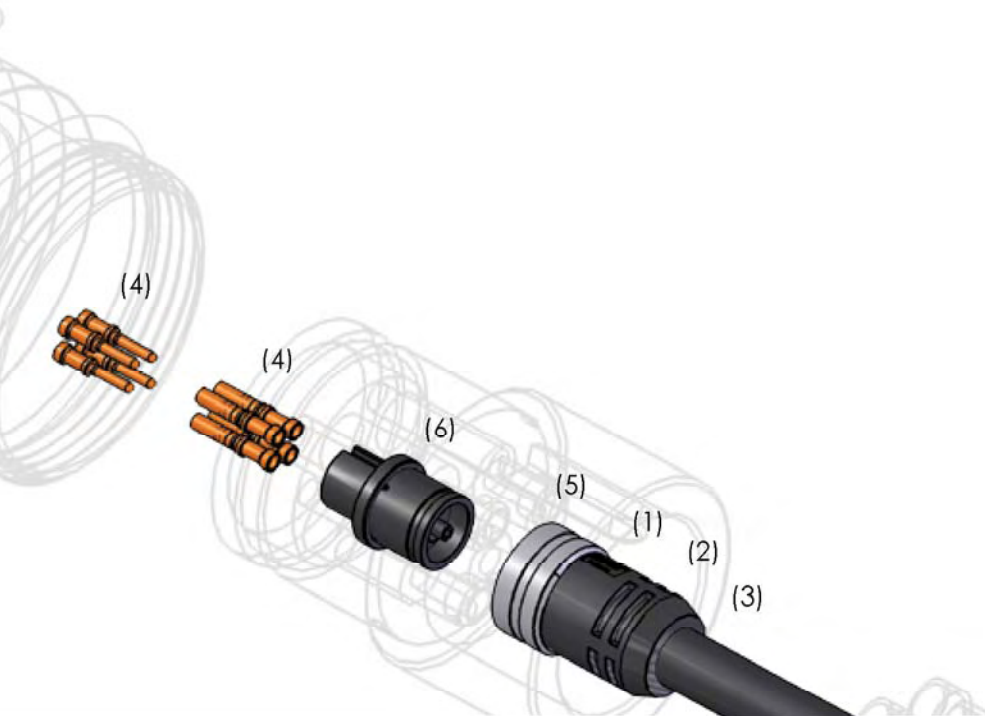


Power BOSS lite™

Power & Control Distribution System

FEATURES & BENEFITS

- Two stage over-molded cable assemblies (1)
- Oil and chemical resistant PVC jacket and molding compounds (2)
- IP67 fluid resistant
- Uni-Directional cable strain relief (3)
- Copper Alloy with Gold over Nickel contact offering (4)
- Heavy duty aluminum die cast couplers (5)
- Strong Thermoplastic 4 Pin contact housing (6)
- 600 Volt (UL & CSA pending)
- Open wiring rated
- UL Type TC-ER
- CSA STOOW 10AWGX4C FT2
- Operating temperature – 25°C to 90°C
- Optional in-line reducers, receptacles, safety locking features
- Unlimited custom length options



PowerBOSSlite™ at a glance...

The PowerBOSSlite™ 600Vac/25amp power distribution system uses a feeder/tap approach by using pre-assembled tee's and cables that can be quickly connected and disconnected. The system is scaleable, delivering power through optional buss and drop connectors in 10 AWG and 14 AWG. The system includes four primary conductors. This is a lower cost option compared to the other PowerBOSS products.

TECHNICAL SPECIFICATIONS

NUMBER OF CONTACTS: 4

TERMINATION TECHNIQUE: CRIMP

TRUNK CABLE WIRE GAUGE: 10 AWG

DROP CABLE WIRE GAUGE: 14 AWG

TEMPERATURE RANGE: -40°C TO +125°C

APPROVALS: UL, CSA PENDING

POWER AREA: TRUNK CABLES:

- RATED CURRENT TEMP: 25A, 40°C

DROP CABLES:

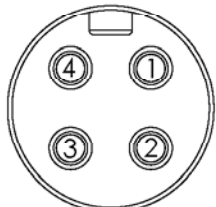
- RATED CURRENT TEMP: 15A, 40°C

CONNECTOR FACE VIEW LEGEND

TRUNK/FEEDER CONNECTORS

4 POLE

- 1 - BLACK
- 2 - GREEN/YELLOW
- 3 - RED
- 4 - WHITE



MALE

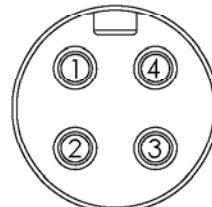


FEMALE

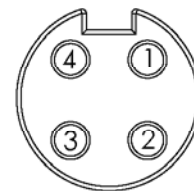
DROP/BRANCH CONNECTORS

4 POLE

- 1 - BLACK
- 2 - WHITE
- 3 - RED
- 4 - GREEN/YELLOW



MALE

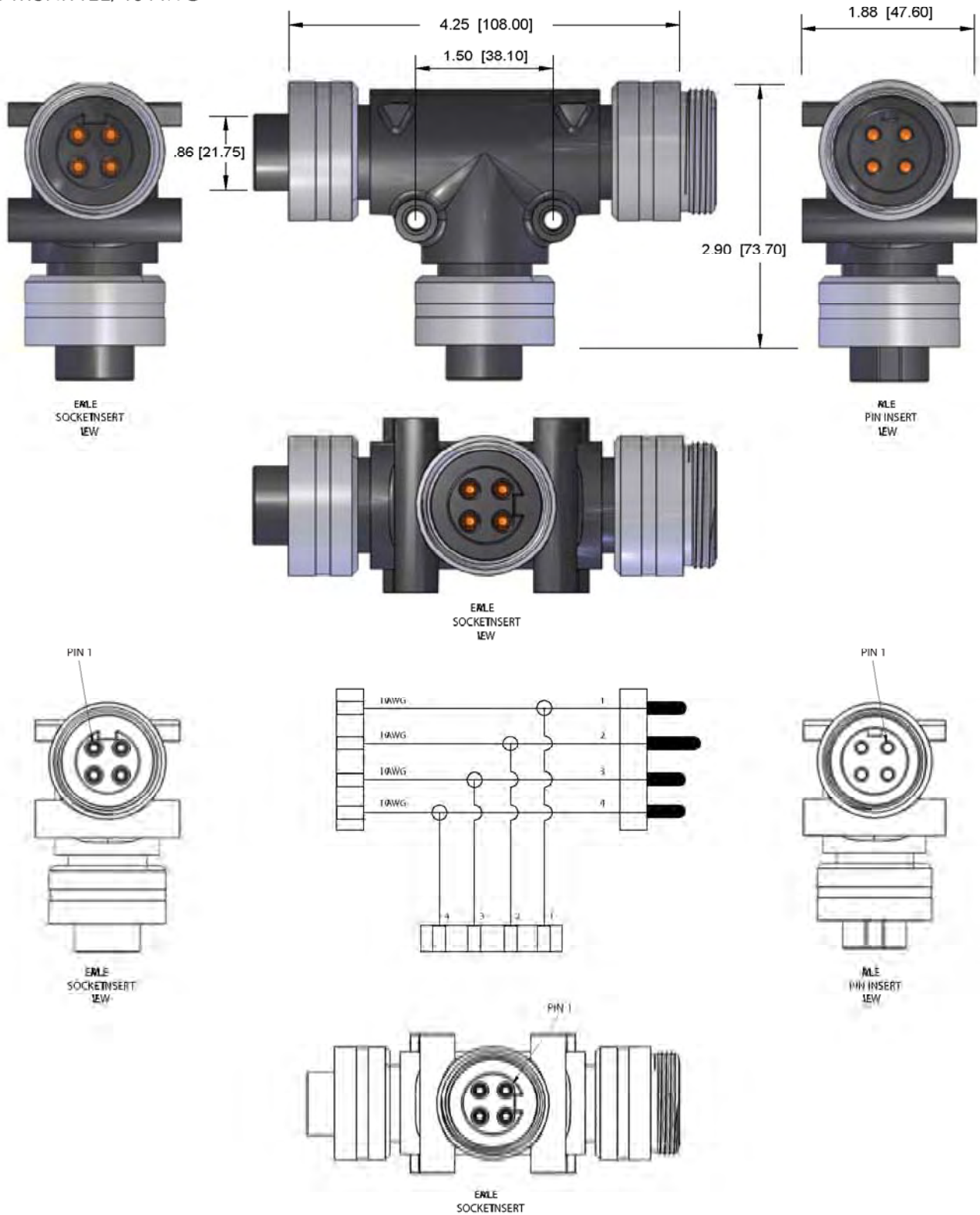


FEMALE

AdvantageLine™ PowerBOSSlite™

POWER TEE

P28964 TRUNK TEE, 10 AWG



All dimensions in: Inches [Millimeter]

TRUNK/FEEDER CABLE OPTIONS, 10 AWG

P28992-MXX, MALE, SINGLE-ENDED, STRAIGHT



P28993-MXX, MALE, SINGLE-ENDED, 90 °



P28997-MXX FEMALE, SINGLE-ENDED, 90 °



P28996-MXX, FEMALE, SINGLE-ENDED, STRAIGHT



P28976-MXX, DOUBLE-ENDED, MALE STRAIGHT / FEMALE STRAIGHT



P28977-MXX, DOUBLE-ENDED, MALE STRAIGHT / FEMALE 90 °



P28978-MXX, DOUBLE-ENDED, MALE 90 ° / FEMALE STRAIGHT



P28979-MXX, DOUBLE-ENDED, MALE 90 ° / FEMALE 90 °



AdvantageLine™ PowerBOSSlite™

DROP/BRANCH CABLE OPTIONS, 14 AWG

P29016-MXX, MALE, SINGLE-ENDED, STRAIGHT



P29017-MXX, MALE, SINGLE-ENDED, 90 °



P29018-MXX, FEMALE, SINGLE-ENDED, STRAIGHT



P29019-MXX FEMALE, SINGLE-ENDED, 90 °



P29008-MXX, DOUBLE-ENDED, MALE STRAIGHT / FEMALE STRAIGHT



P29009-MXX, DOUBLE-ENDED, MALE STRAIGHT / FEMALE 90 °



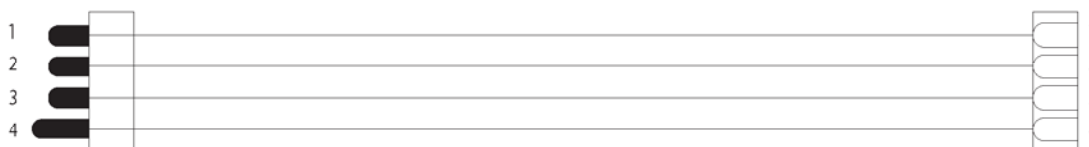
P29010-MXX, DOUBLE-ENDED, MALE 90 ° / FEMALE STRAIGHT



P29011-MXX, DOUBLE-ENDED, MALE 90 ° / FEMALE 90 °

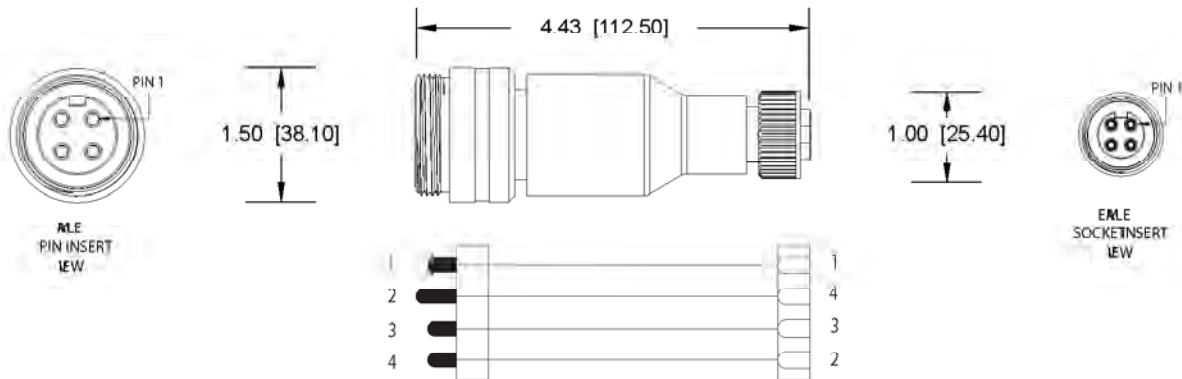


Universal Wiring Diagram for All PowerBOSSlite™ Cable Options



IN-LINE REDUCERS

P28972 TRUNK REDUCER TO FEMALE DROP CONNECTOR



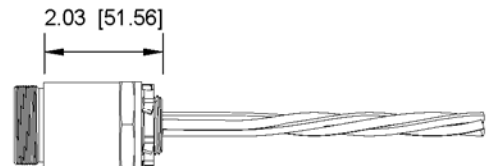
TRUNK/FEEDER RECEPTACLES

NOTE: ALL TRUNK/FEEDER RECEPTACLES ARE 10AWG.

P29026-MXX, FEMALE, 1/2-14NPT



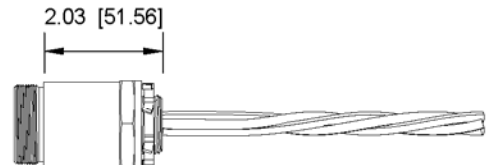
P29059-MXX, MALE, 1/2-14NPT



P29024-MXX, FEMALE, 3/4-14NPT



P29057-MXX, MALE, 3/4-14NPT



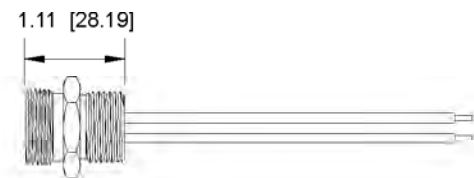
DROP/BRANCH RECEPTACLES

NOTE: ALL DROP/BRANCH RECEPTACLES ARE 14AWG.

P29037-MXX, FEMALE, 1/2-14NPT



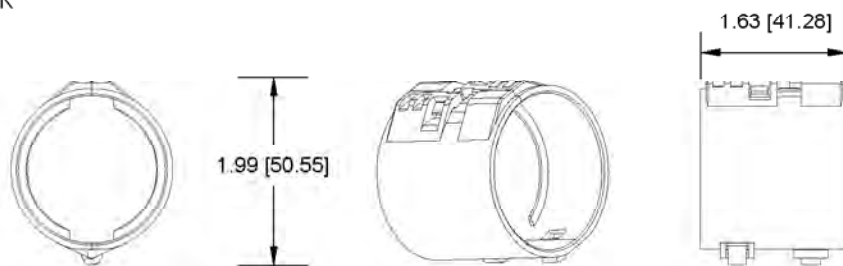
P29036-MXX, MALE, 1/2-14NPT



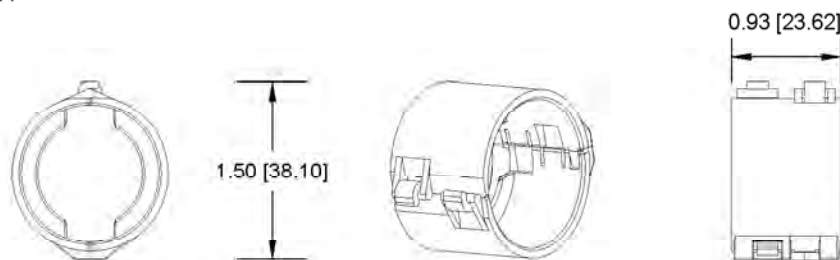
AdvantageLine™ PowerBOSSlite™

LOCKING CLIPS

P29040 TRUNK/FEEDER

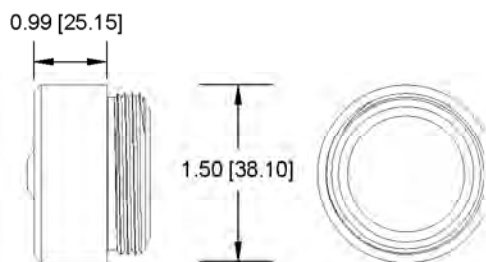


P29041 DROP/BRANCH

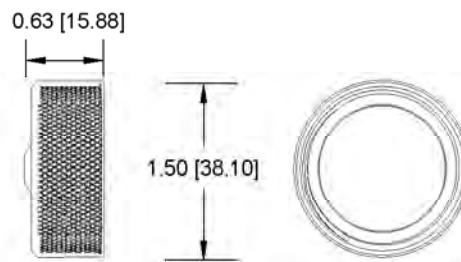


CLOSURE CAPS

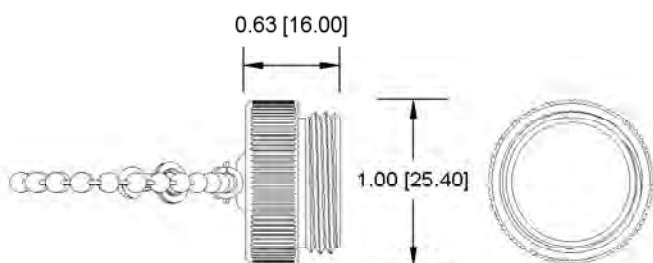
P29043 FEMALE TRUNK/FEEDER



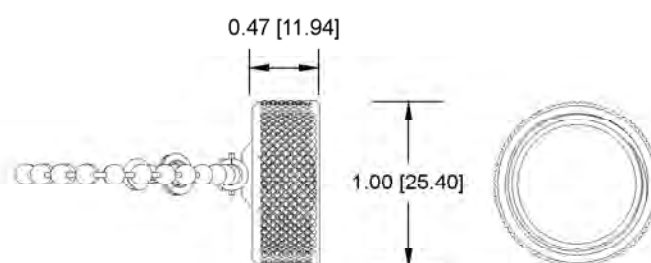
P29042 MALE TRUNK/FEEDER



P29045 FEMALE DROP/BRANCH



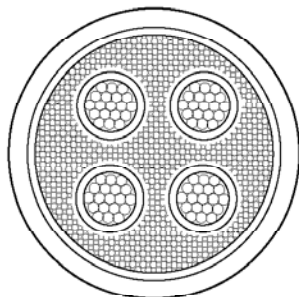
P29044 MALE DROP/BRANCH



All dimensions in: Inches [Millimeter]

CABLE SPECIFICATIONS & PART NUMBERS

10 & 14 GAUGE STATIC



APPLICATIONS:

- Factory Equipment Interconnects
- Machine Tools
- Control Panels
- Conveyor Systems
- Automotive Assembly Equipment

Specifications:

- UL Type TC-ER (600V)
- CSA STOOW 10AWGX4C FT2

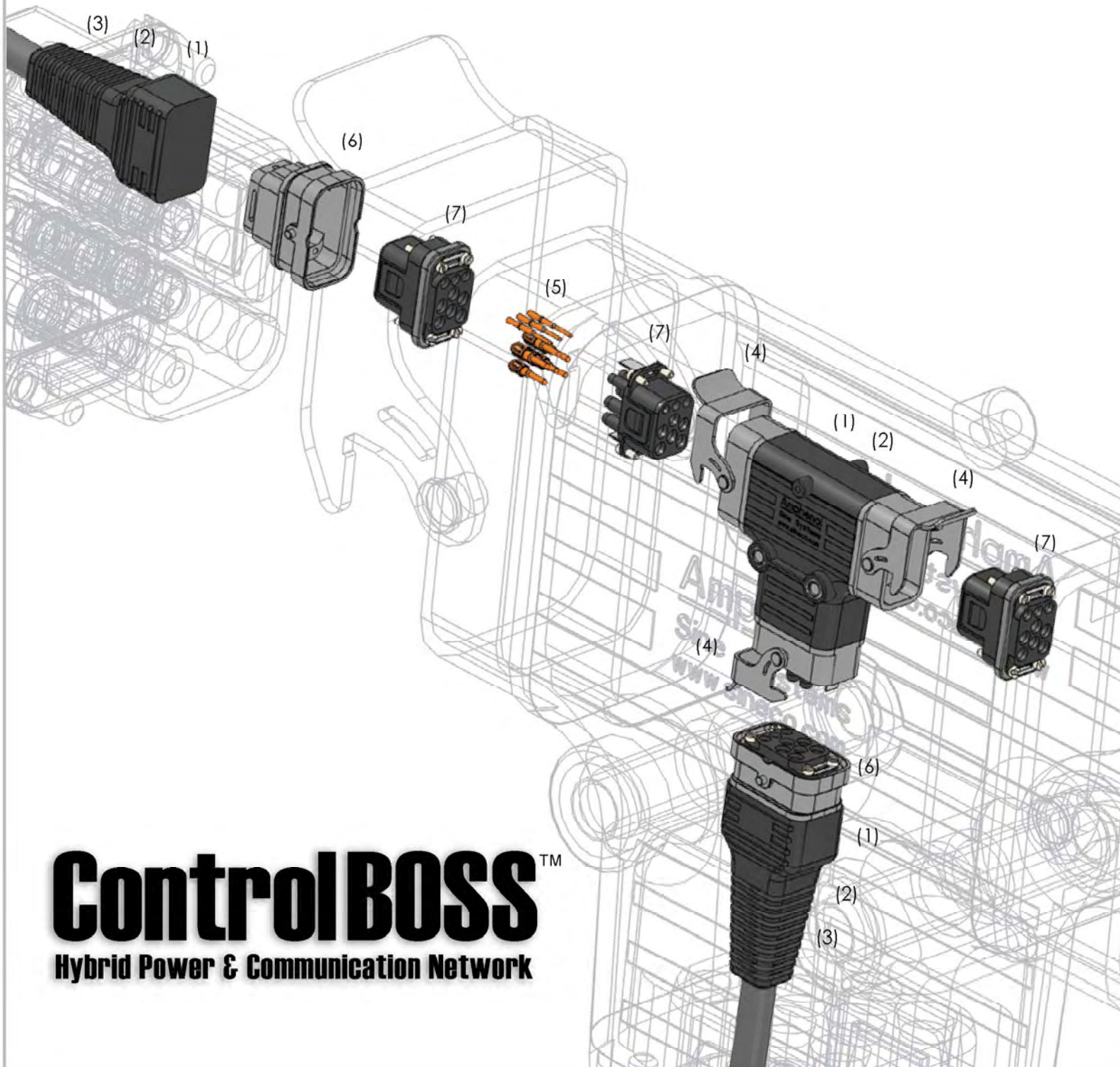
Characteristics:

- Operating Temperature Range: -25°C to 90°C
- Voltage Rating: 600V
- Conductor: **10 AWG**
4 x 10 AWG
- **14 AWG**
4 x 14 AWG

DESCRIPTION	PART NUMBER	*NOMINAL O.D.	*MINIMUM BEND RADIUS
PowerBOSSlite™ POWER CABLE 10 AWG	KA-56332	.80	8.00
PowerBOSSlite™ POWER CABLE 14 AWG	KA-56331	.60	6.00

* Measurements in inches.

AdvantageLine™ PowerBOSSlite™

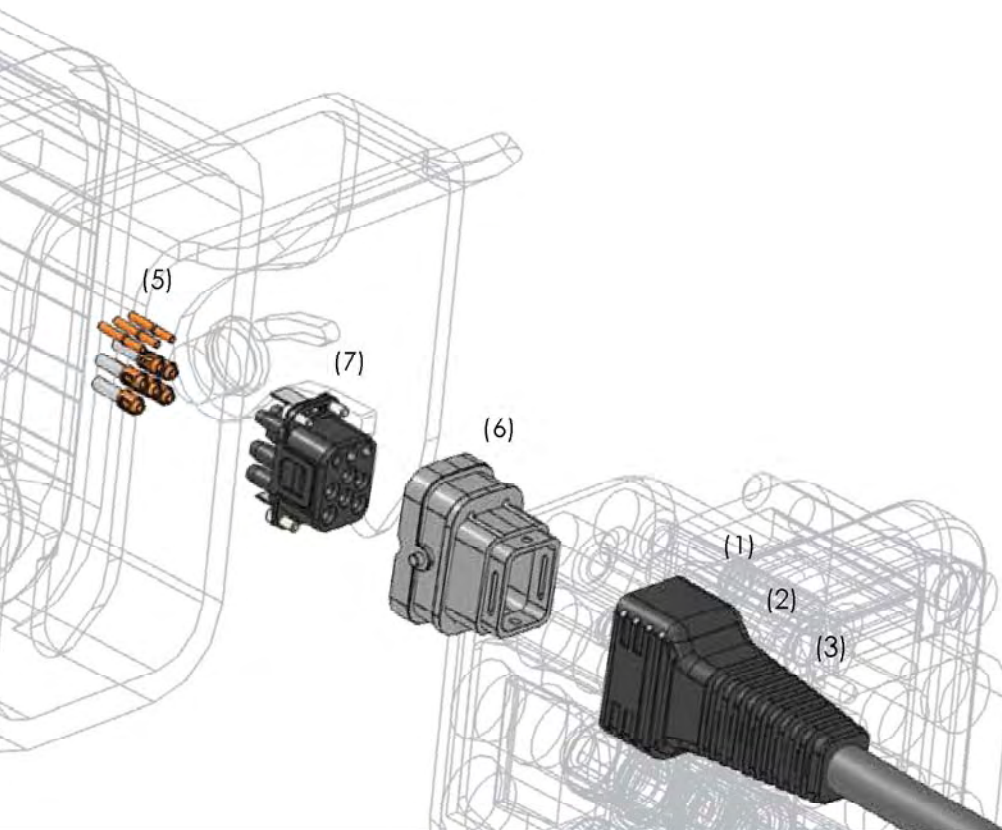


Control BOSS™

Hybrid Power & Communication Network

FEATURES & BENEFITS

- Two stage over-molded cable assemblies (1)
- Oil and chemical resistant PVC jacket and molding compounds (2)
- Uni-Directional cable strain relief (3)
- Vibration resistant coupling system (4)
- Gold plated contacts (5)
- Heavy duty, nickel-plated, aluminum die cast shell (6)
- IP65 fluid resistant
- Strong Thermoplastic contact housing (7)
- UL and CSA ratings pending
- Open wiring rated, compliant to NEC section 725.61 (0) (4) and NEC section 336.10
- UL Type TC-ER 600 Volt Class 1
- Operating temperature – 25°C to 90°C
- Unlimited custom length options
- Optional termination and adaptors



ControlBOSS™ at a glance...

ControlBOSS™ is the compilation of the industry standard DeviceNet™ and 2 additional circuits. These circuits can be used as additional power to the current DeviceNet™ node power or can be user definable. As an example, the additional circuits could be used to refresh the DeviceNet™ node power or provide additional field input/output power. With this approach, both the DeviceNet™ communication network and additional control can be installed at the same time within one cable thus reducing field installation time and money.

TECHNICAL SPECIFICATIONS

NUMBER OF CONTACTS: 6/3 +PE

TERMINATION TECHNIQUE: CRIMP

WIRE GAUGE: 14 AWG / 18 AWG

TEMPERATURE RANGE: -40°C TO +125°C

APPROVALS: UL, CSA PENDING

POWER AREA: 6 + PE

- RATED CURRENT TEMP: 15A, 40°C,

SIGNAL AREA: 3

- DATA: 2A, 40°C

RP09 9 PIN



PART NUMBER:
C146 15A009 000 9

DESCRIPTION:
MALE - CONTACT INSERT FOR
MACHINED CONTACTS 6/3



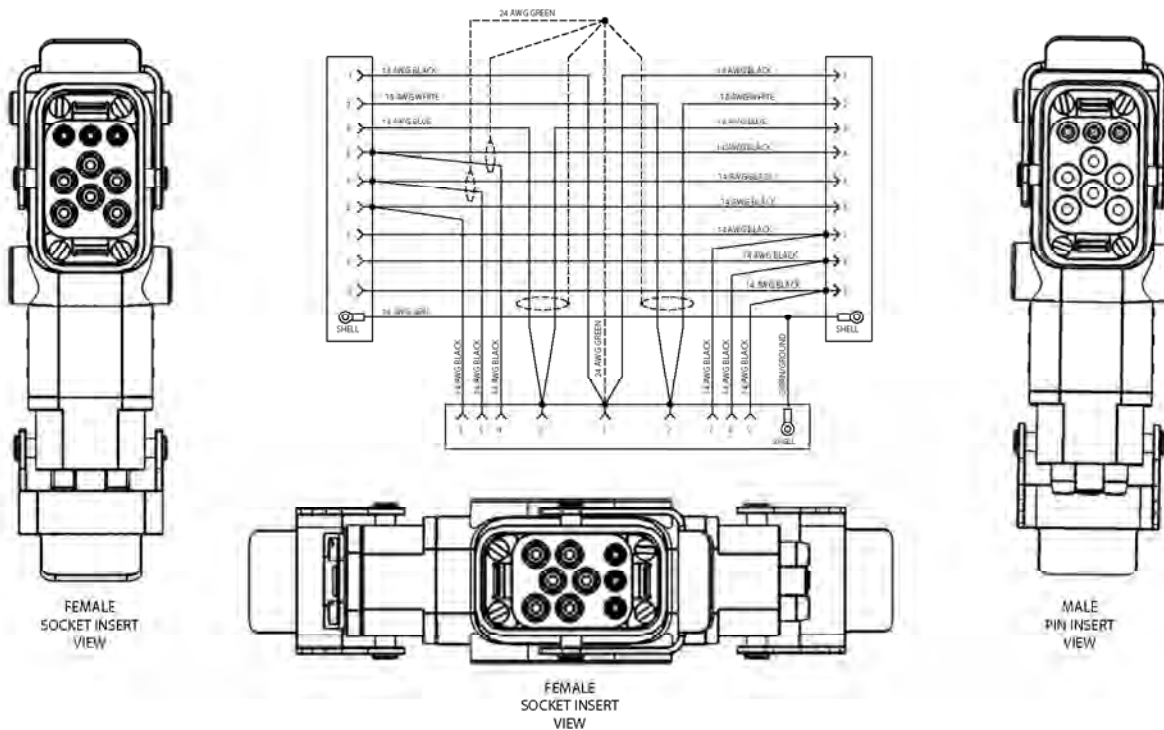
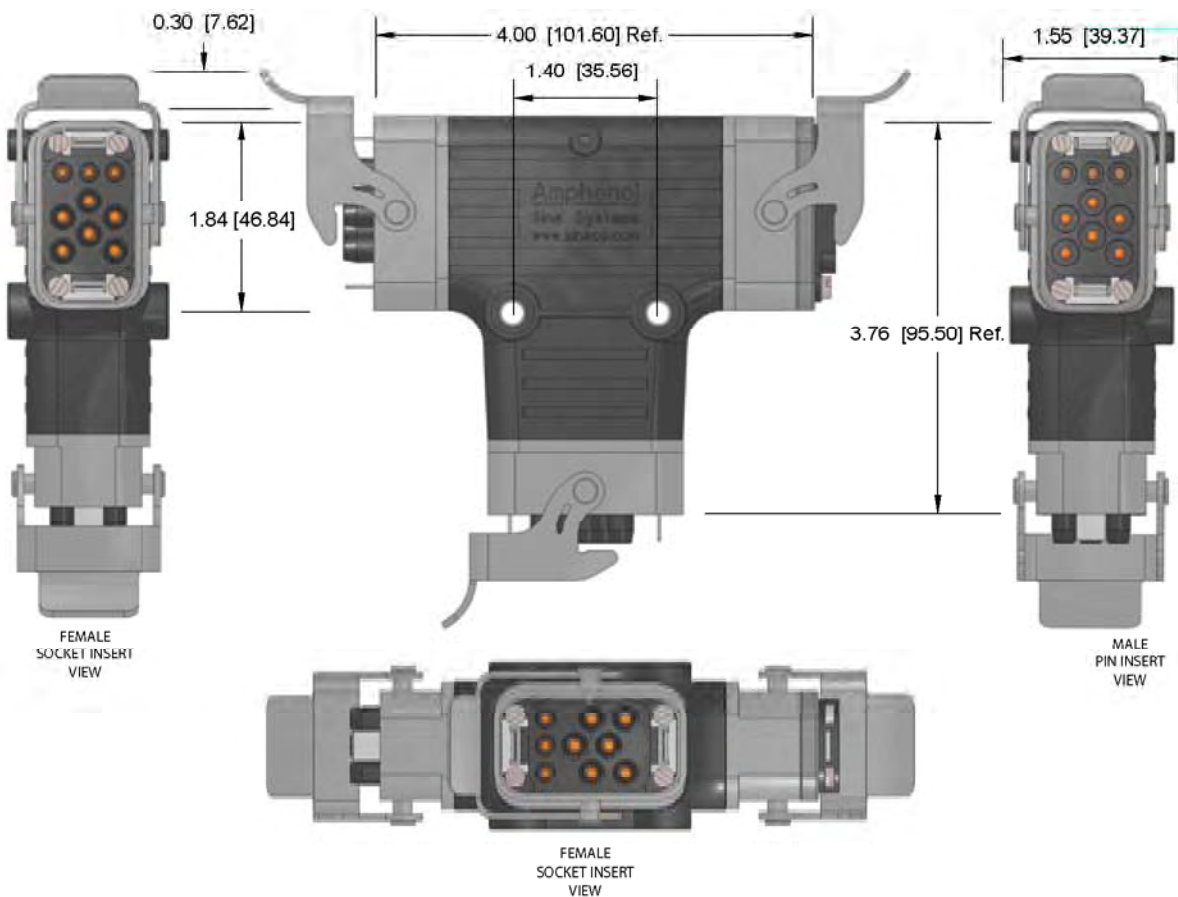
PART NUMBER:
C146 15B009 0009

DESCRIPTION:
FEMALE - CONTACT INSERT FOR
MACHINED CONTACTS 6/3

AdvantageLine™ ControlBOSS™

HYBRID TEE'S

P28810 HYBRID TEE

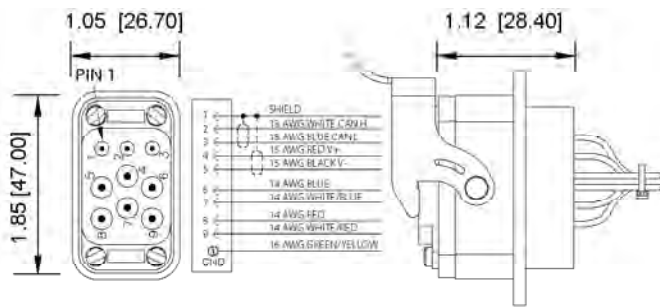


All dimensions in: Inches [Millimeter]

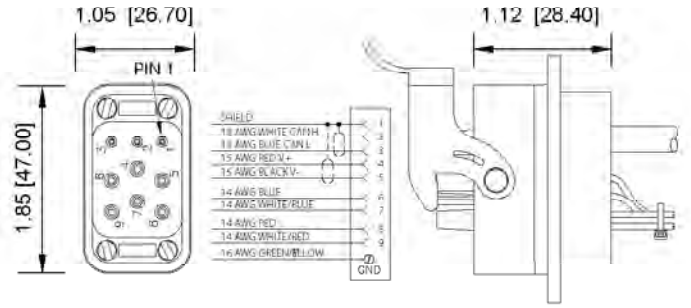
PANEL RECEPTACLES

NOTE 2: CONTACT SINE SYSTEMS FOR ADDITIONAL ALTERNATIVE WIRE COLOR SCHEMES.

P28819-XX MALE POWER

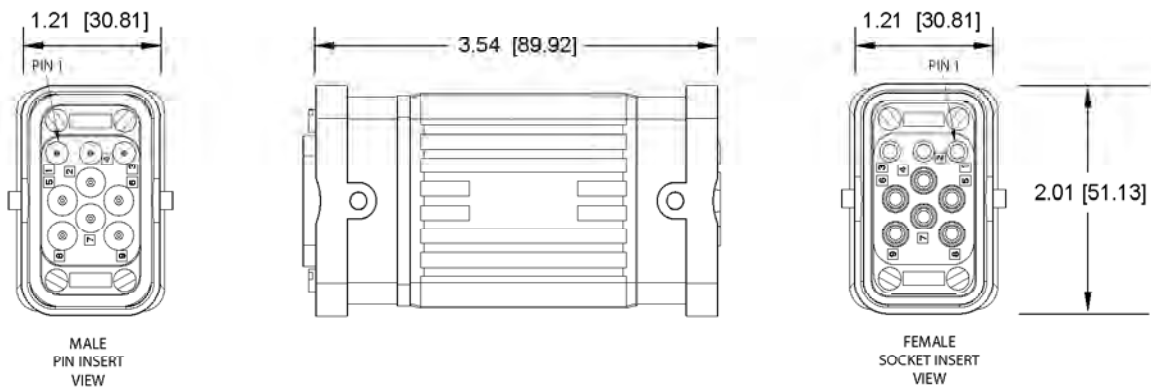


P28816-XX FEMALE POWER



TEE TO TEE ADAPTOR

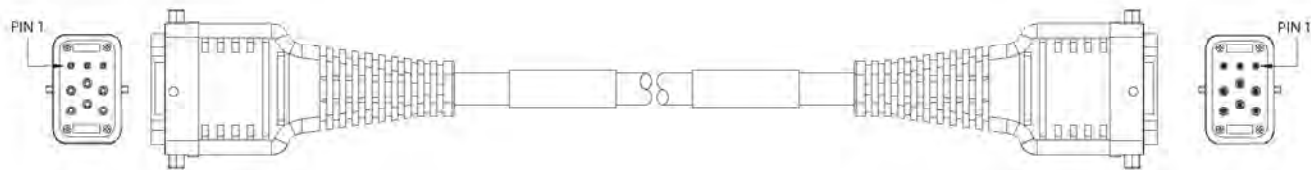
P28825



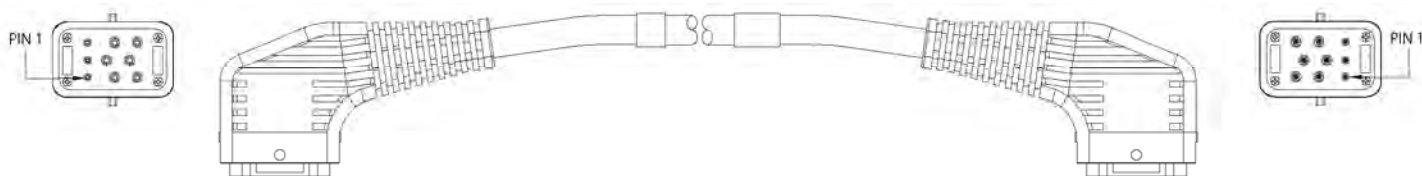
AdvantageLine™ ControlBOSS™

STATIC DUTY HYBRID CABLES

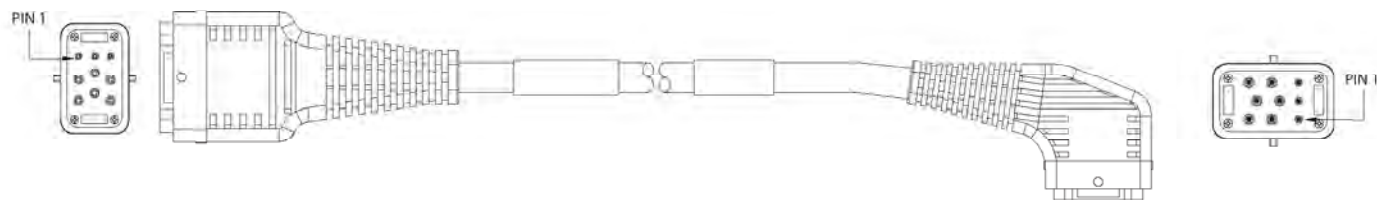
P28817-XX, DOUBLE-ENDED, MALE STRAIGHT / FEMALE STRAIGHT



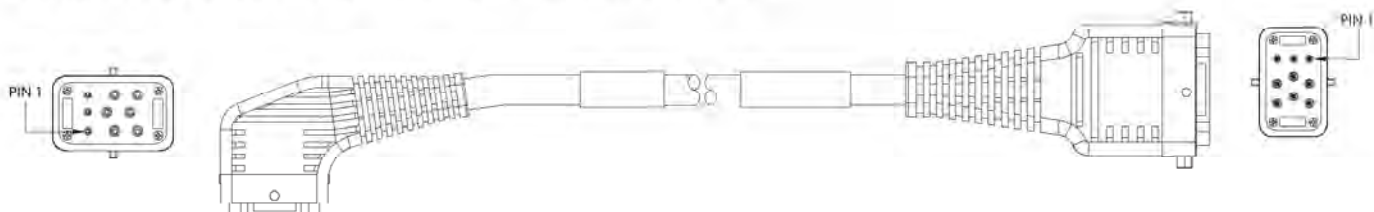
P28818-XX, DOUBLE-ENDED, MALE 90 ° / FEMALE 90 °



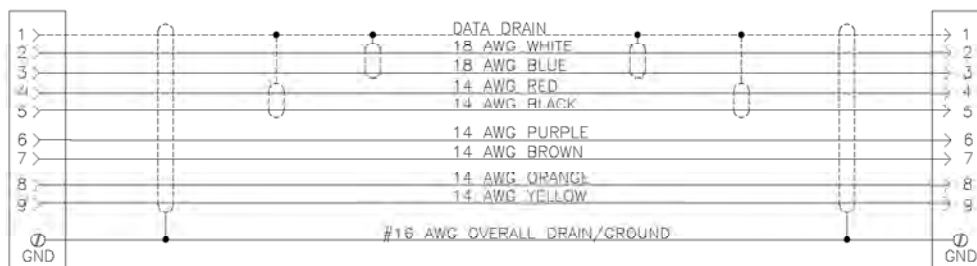
P28822-XX, DOUBLE-ENDED, MALE STRAIGHT / FEMALE 90 °



P28823-XX, DOUBLE-ENDED, MALE 90 ° / FEMALE STRAIGHT



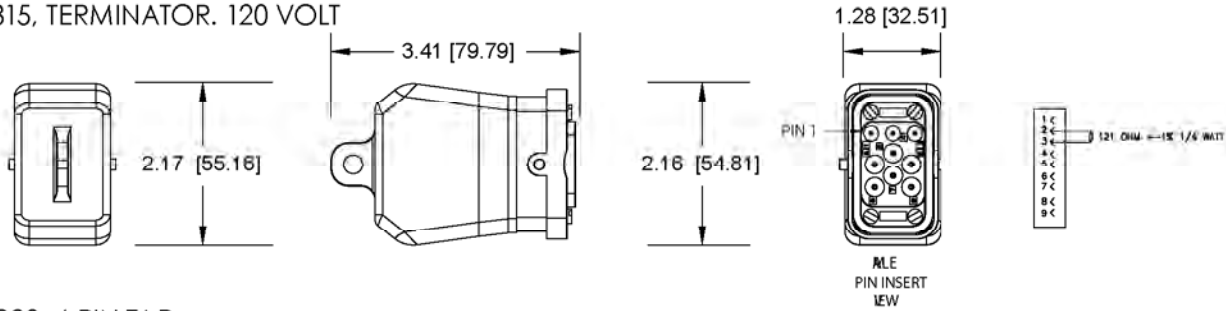
Universal Wiring Diagram for All ControlBOSSlite™ Cable Options



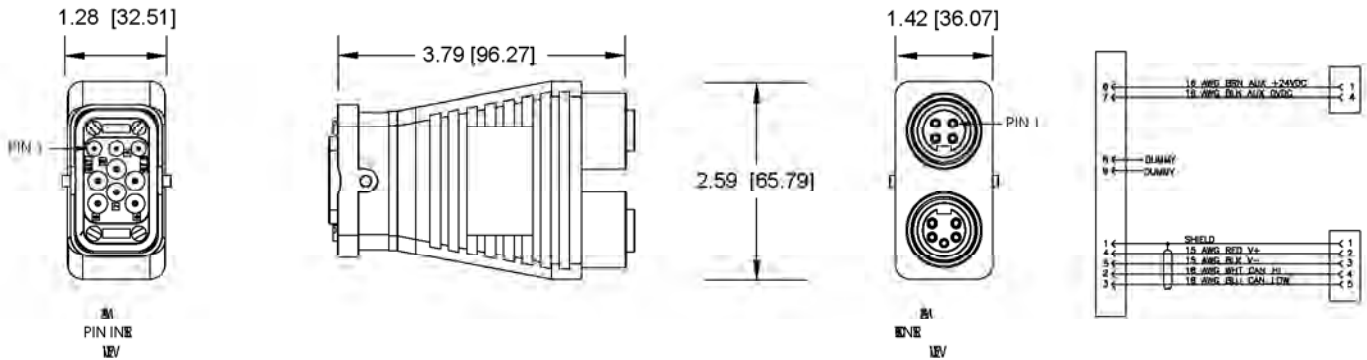
All dimensions in: Inches [Millimeter]

TERMINATOR & AUXILIARY POWER PLUGS

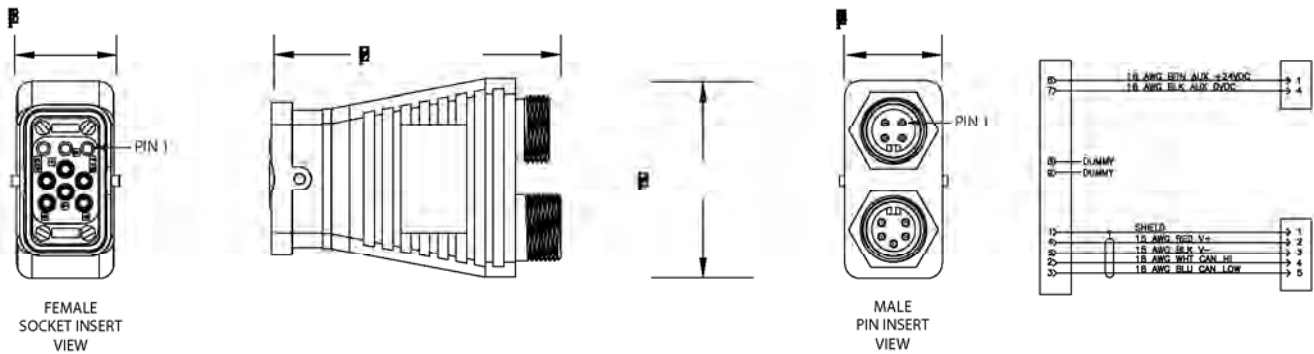
P28815, TERMINATOR. 120 VOLT



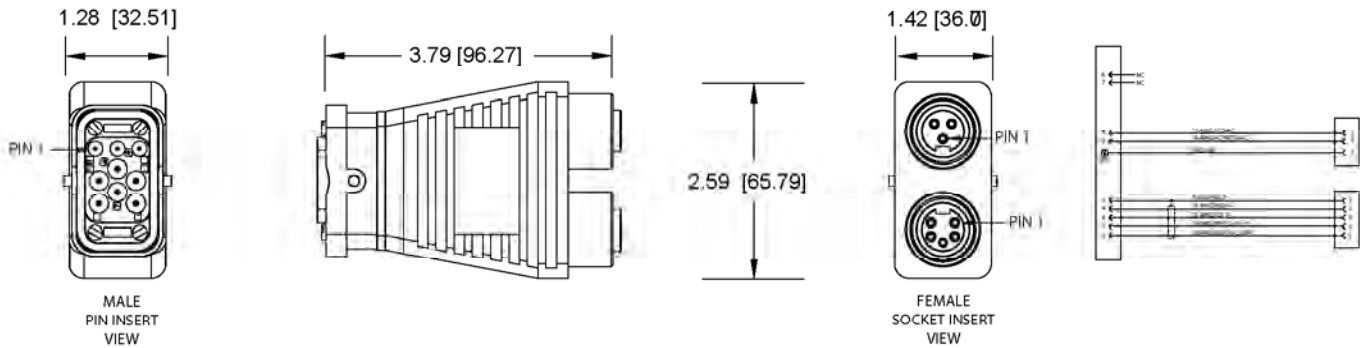
P28820, 4 PIN TAP



P28821, 4 PIN TAP



P28826, 3 PIN TAP

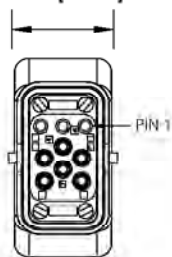


AdvantageLine™ ControlBOSS™

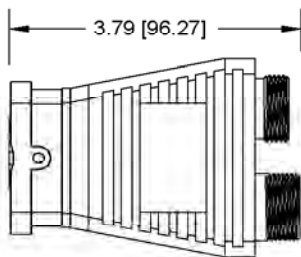
TERMINATOR & AUXILIARY POWER PLUGS, cont.

P28827, 3 PIN TAP

1.28 [32.51]



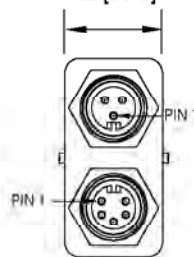
FEMALE
SOCKET INSERT
VIEW



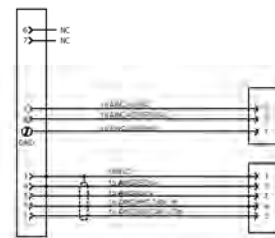
3.79 [96.27]

2.59 [65.79]

1.42 [36.0]



MALE
PIN INSERT
VIEW



CABLE SPECIFICATIONS & PART NUMBERS

HYBRID CABLE



APPLICATIONS:

- Factory Equipment Interconnects
- Machine Tools
- Control Panels
- Conveyor Systems
- Automotive Assembly Equipment

Specifications:

- UL Type TC-ER (600V)
- CSA AWM II A/B 600V FT4

Characteristics:

- Operating Temperature Range: -25°C to 90°C
- Voltage Rating: 600V
- Conductor: 6 x 14 AWG
2 x 18 AWG DATA + SHIELD

DESCRIPTION	PART NUMBER	*NOMINAL O.D.	*MINIMUM BEND RADIUS
ControlBOSS™ HYBRID CABLE	KA-56267	.710	7.10

* Measurements in inches.

All dimensions in: Inches [Millimeter]



Amphenol Sine Systems has made every effort to ensure that the information contained in this catalog is accurate at the time of publication. Specifications or information stated in this publication are subject to change without notice.

© 2007 Sine Systems Corporation, 44724 Morley Drive, Clinton Twp., MI USA 48036

Amphenol Corp. México

www.amphenolmexico.com

Prol. Reforma 61-6B2 México, D.F. 01330 México Tel. +52 (55) 5258-9984